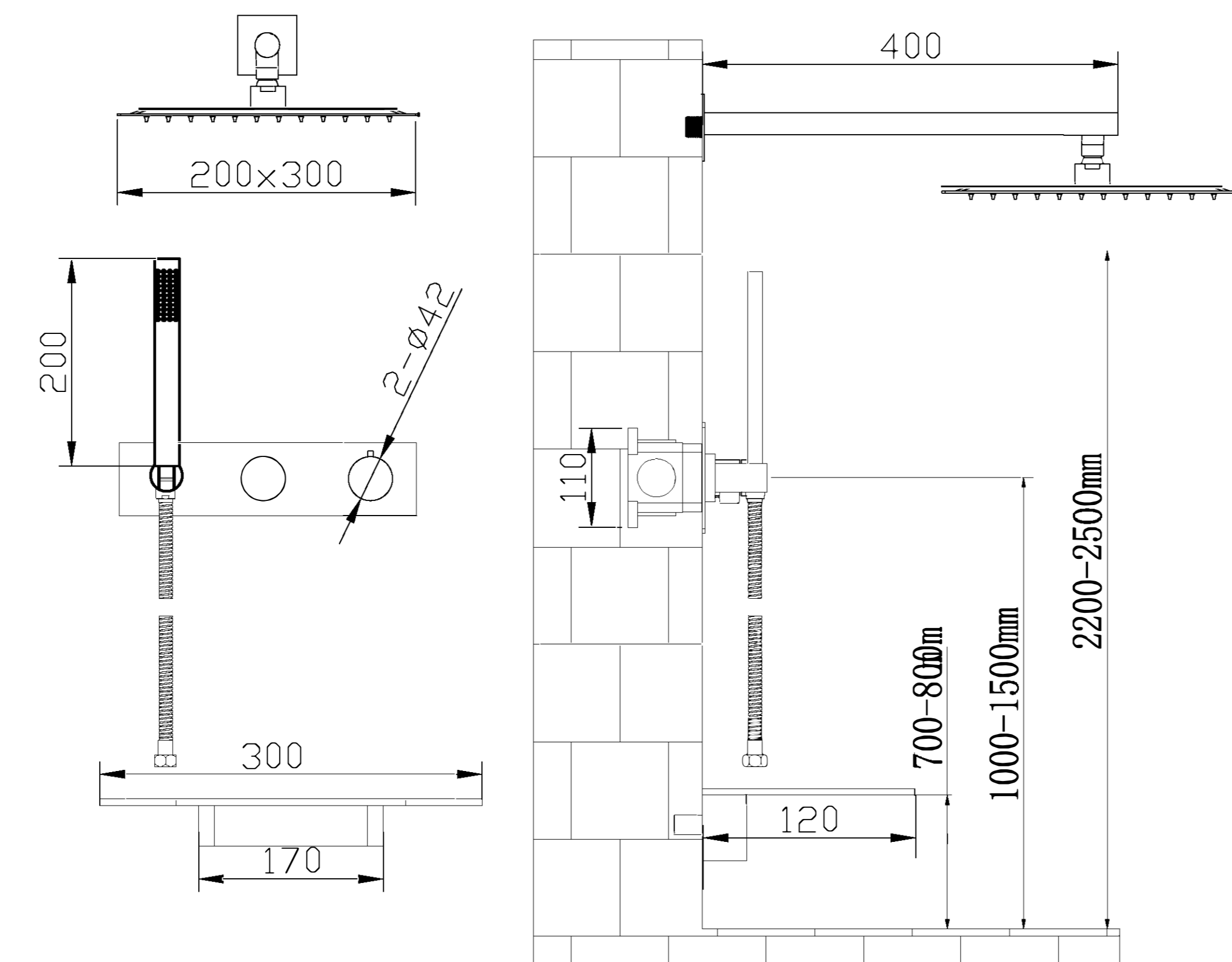
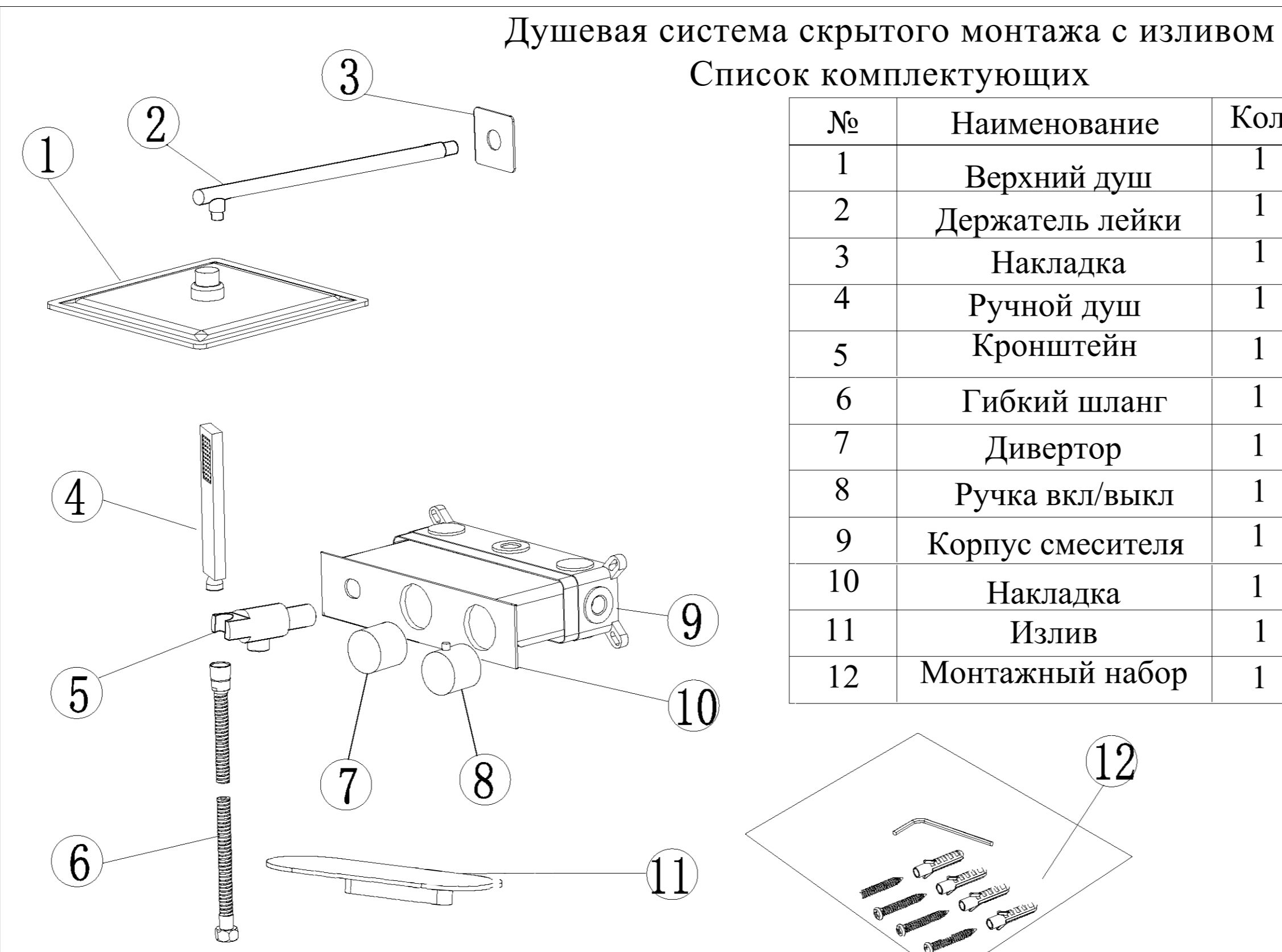
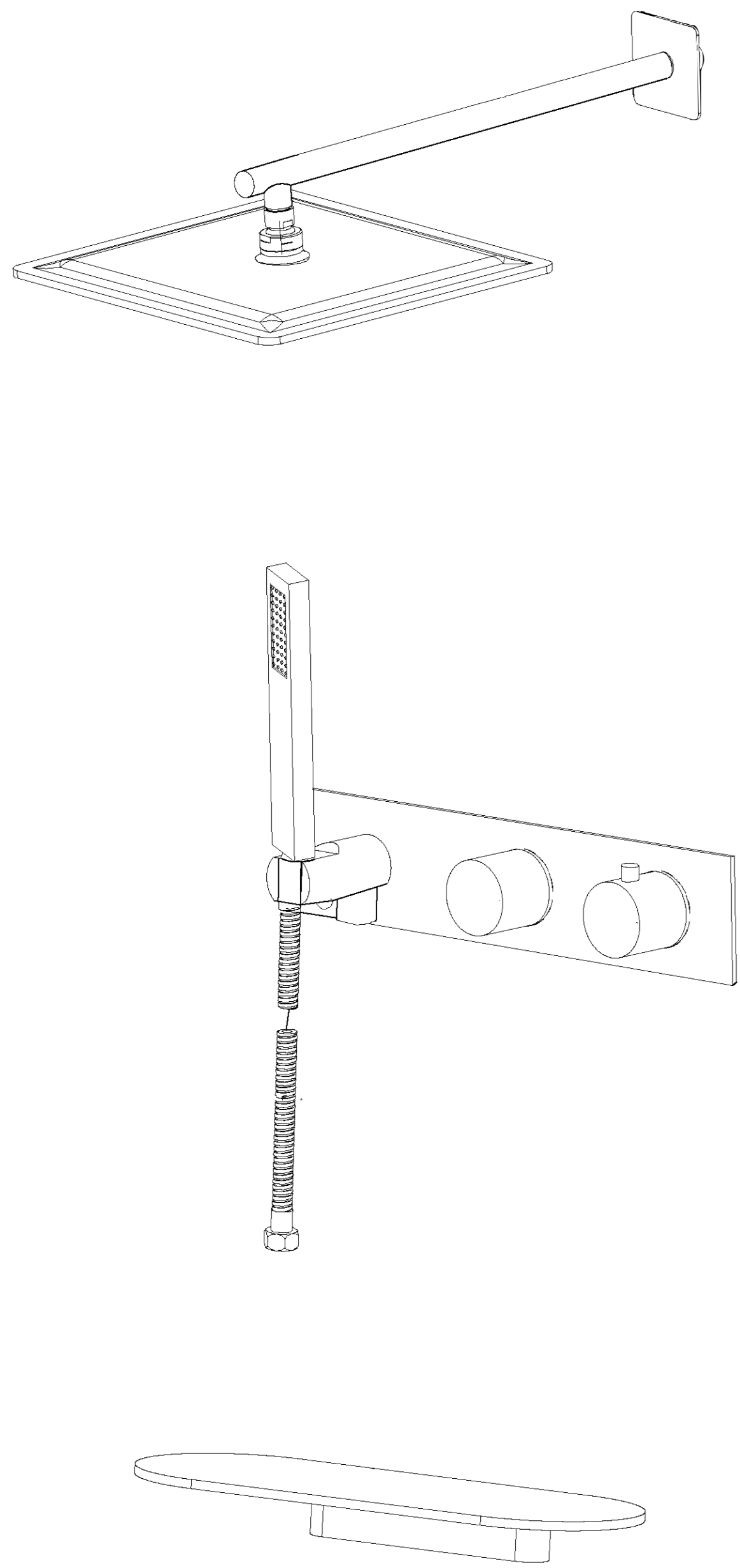


## ИНСТРУКЦИЯ ПО МОНТАЖУ

### Душевая система скрытого монтажа с изливом

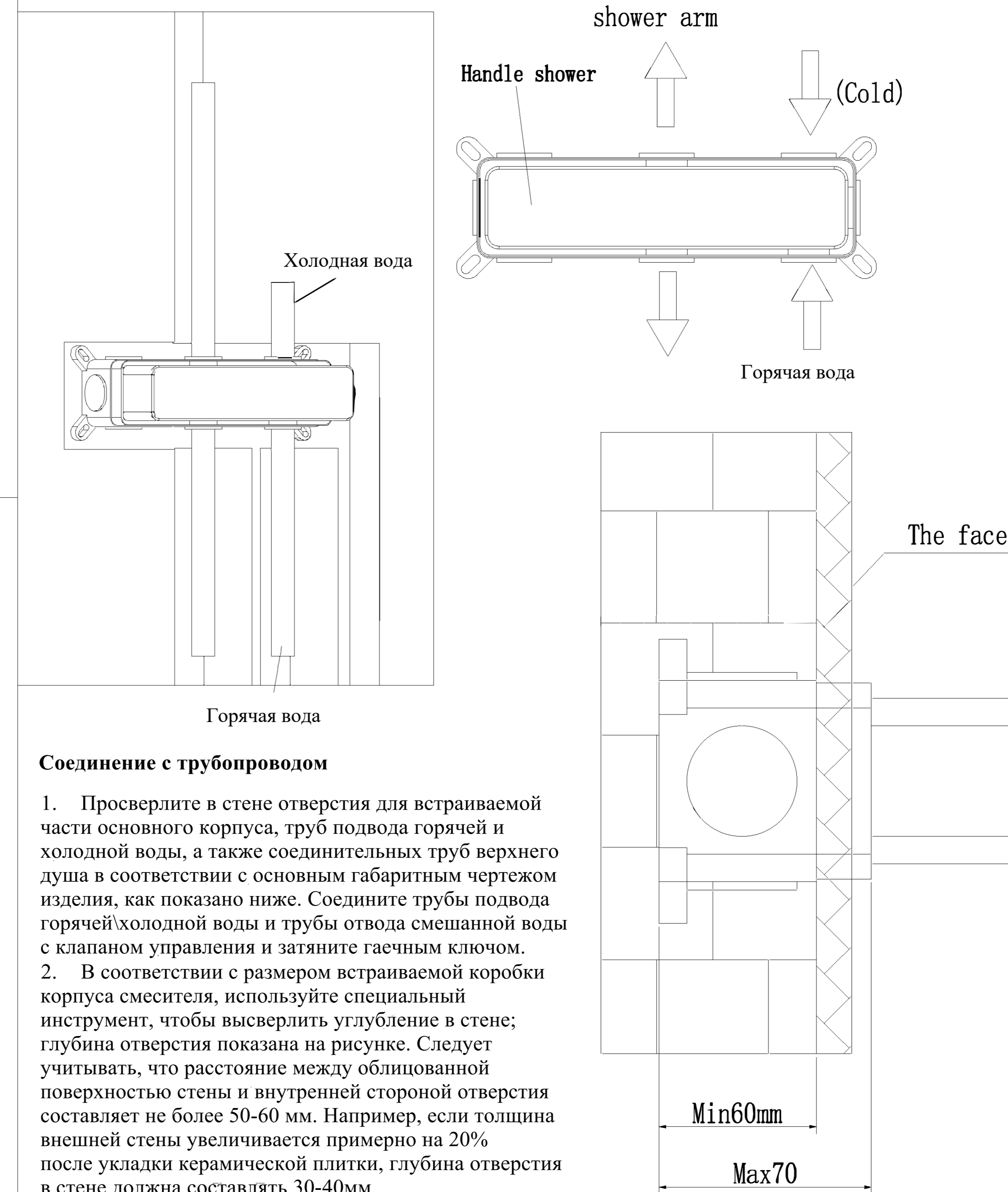


### Water testing and sealing testing

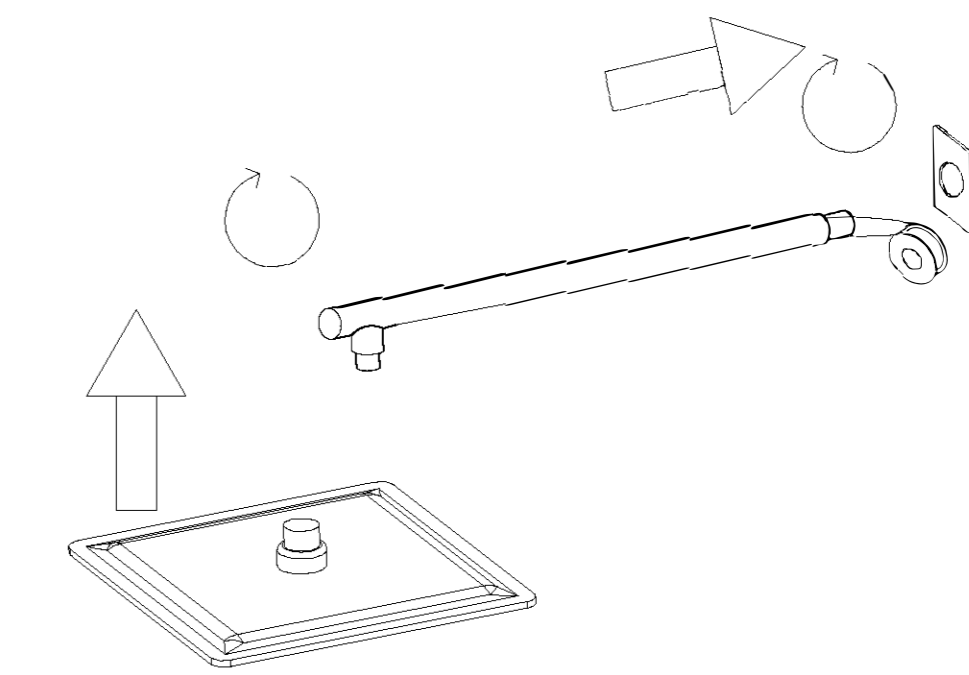
1. After the pipe connection is completed, open the protective panel and cover, and then open the cartridge, flush the pipeline; Then close it, the cartridge to check the pressure resistance and sealing performance of the pipeline, make sure there are no leakage.

2. Block each outlet pipe with a stopper then open the cartridge to check if the pipe joint is well-sealed and the pipe condition under pressure to ensure no leakage.

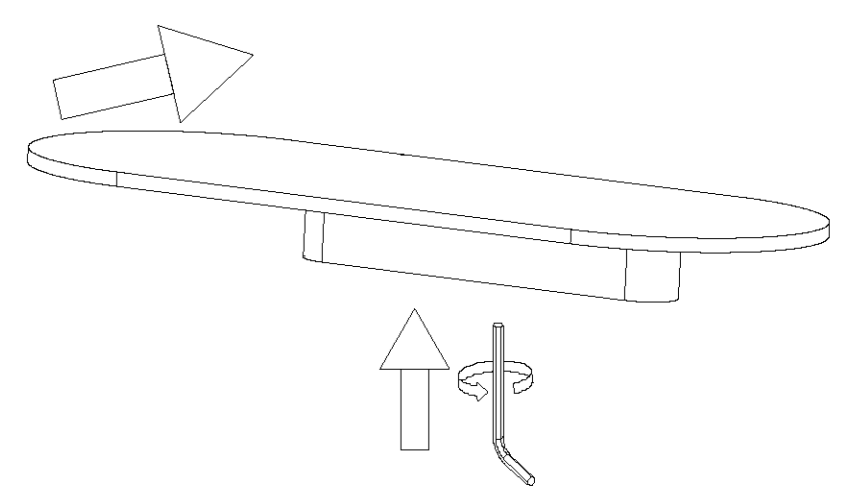
Testing Purpose: Flush the impurities and sludge in the pipeline to avoid clogging and affect the effluent functions.



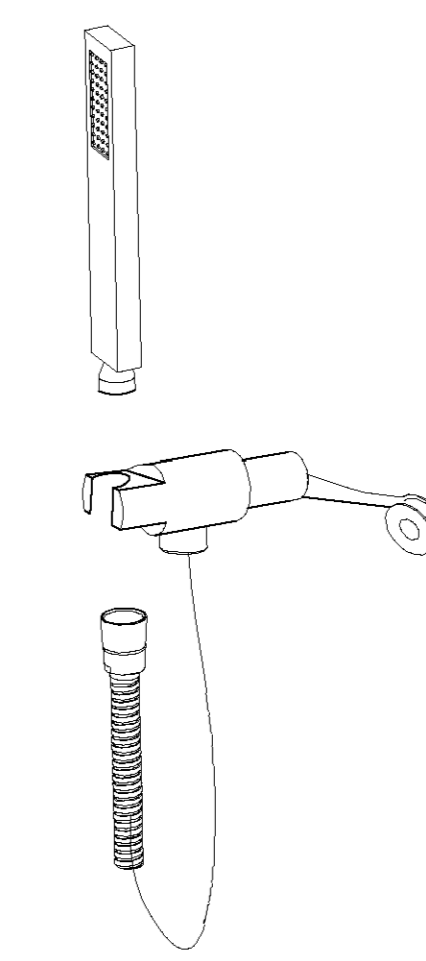
### Install the shower head



### Install the bathtub spout



### Handle shower installation



### Installation of Rough-in valve

1. Take off the protective panel and cover

2. The decorative panel and the handle are connected to the control valve as shown below sequence

