

Instructions of Shower Room



S03200

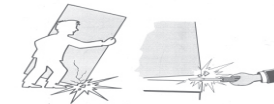
Dear customer:

Sincerely thanks for selecting our shower room, the series product made of high quality material, with the characteristics of simply, natural, comfortable, practical, excellent in quality and reasonable in price etc. It is the newest developed design of leisure product. It will bring to you an infinite relaxation, and infinite pleasure.

Please examine whether the accessories lack or not according to the whole picture, and analyze the structure and the installation position of the product. Then carry on installation according to the explanations as following instruction.

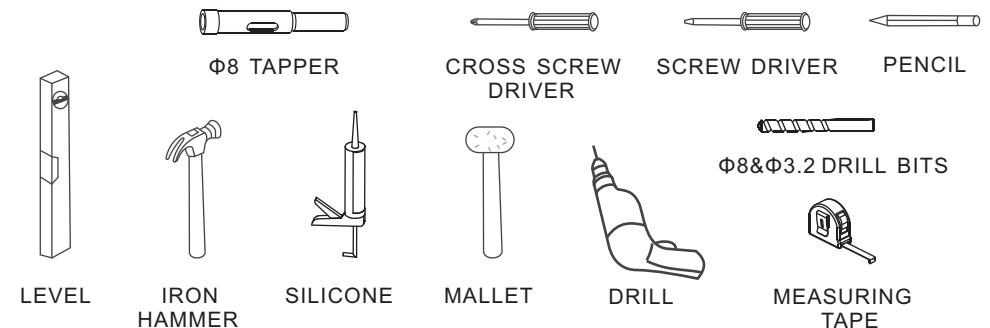
You are welcome to visit our web www.gemy.cn for more information.

ATTENTION

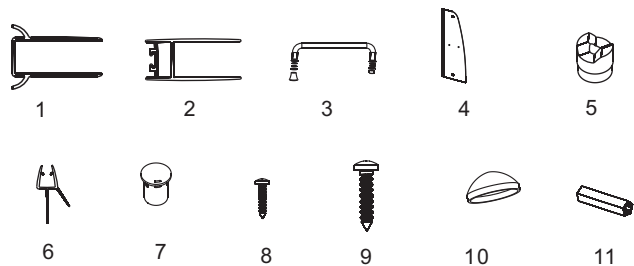


1. Don't let child or costive one use the shower room alone, otherwise may cause injury.
2. It is easy to slip because of the soap water in the shower base, please be careful!
3. To avoid fire or damage, please don't put burning cigarette near the sit, shower base or fall ash in.
4. Don't put stools in shower base and stand on it.
5. To avoid scratch, please don't put tools like shaver blade in shower base.
6. Please don't use acid, alkali, drugs (e.g. Hydrochloric Acid) and acetone impregnant, cleansing powder and abrasive to clean the shower room, because the impregnant above is bad for health.

Installation Tools



The structure of the shower:



No.	Name	Qty	No.	Name	Qty
1	LC201219	1	7	Top axes	1
2	LC20124	1	8	ST4*12	3
3	Handle	1	9	ST4*30	3
4	Active glass	1	10	Cover cap	3
5	Bottom axes	1	11	Wall plug	3
6	Profoot water seal	1			

Install steps:

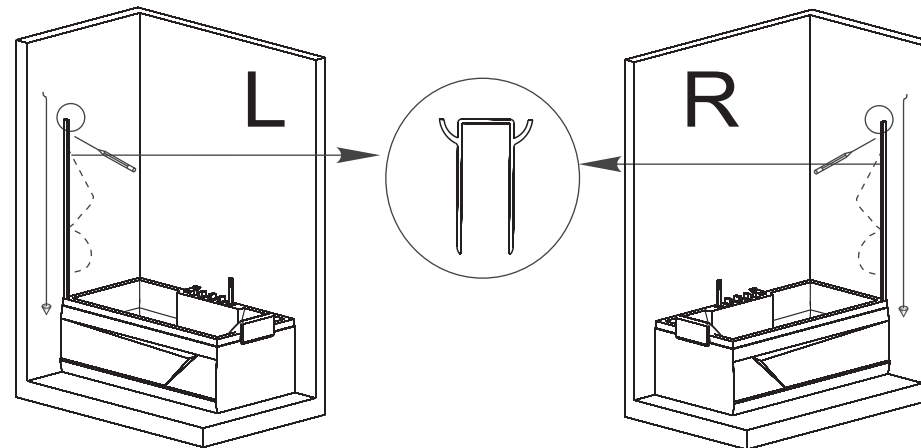


Figure 1

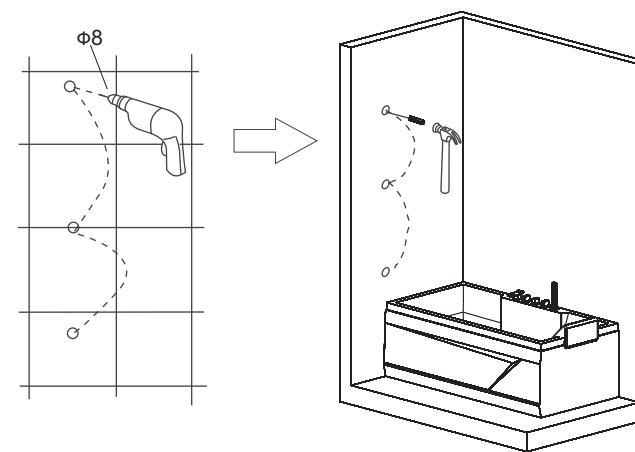


Figure 2

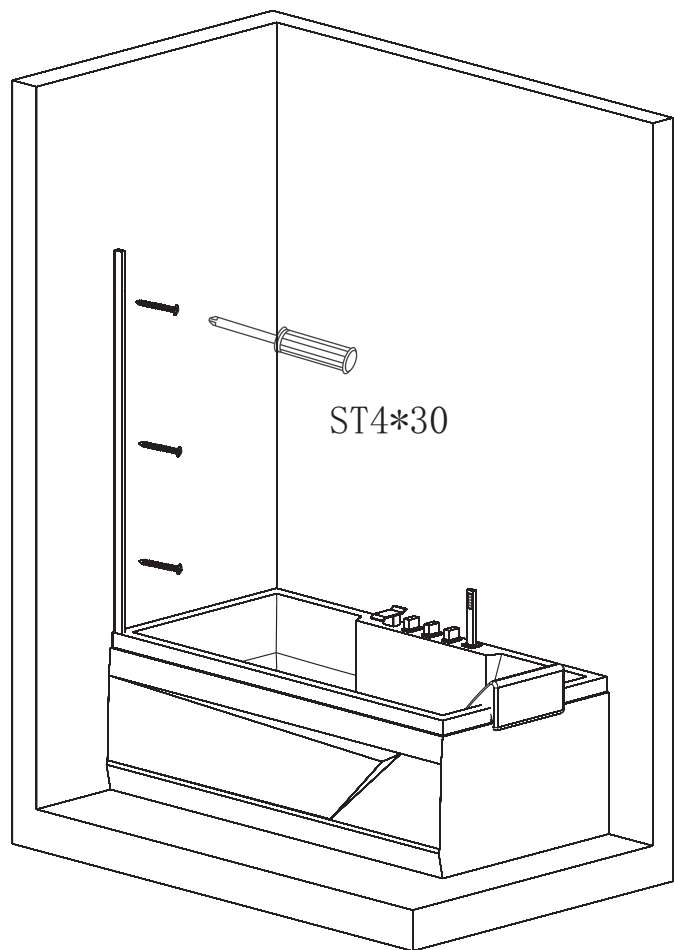


Figure 3

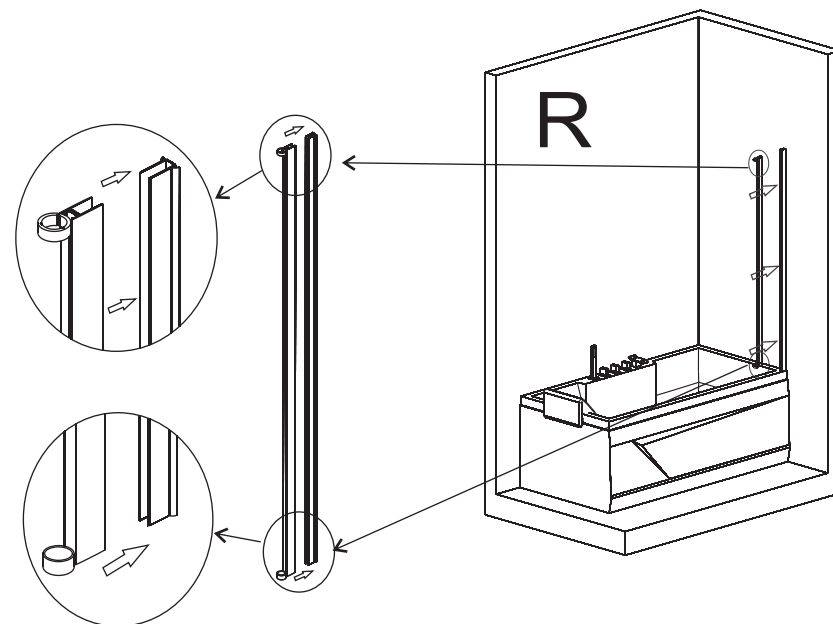
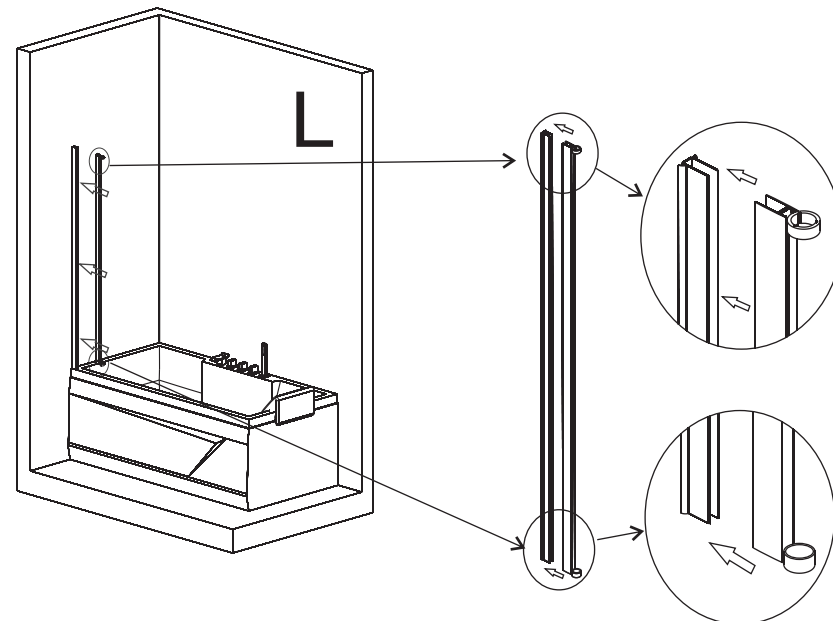


Figure 4

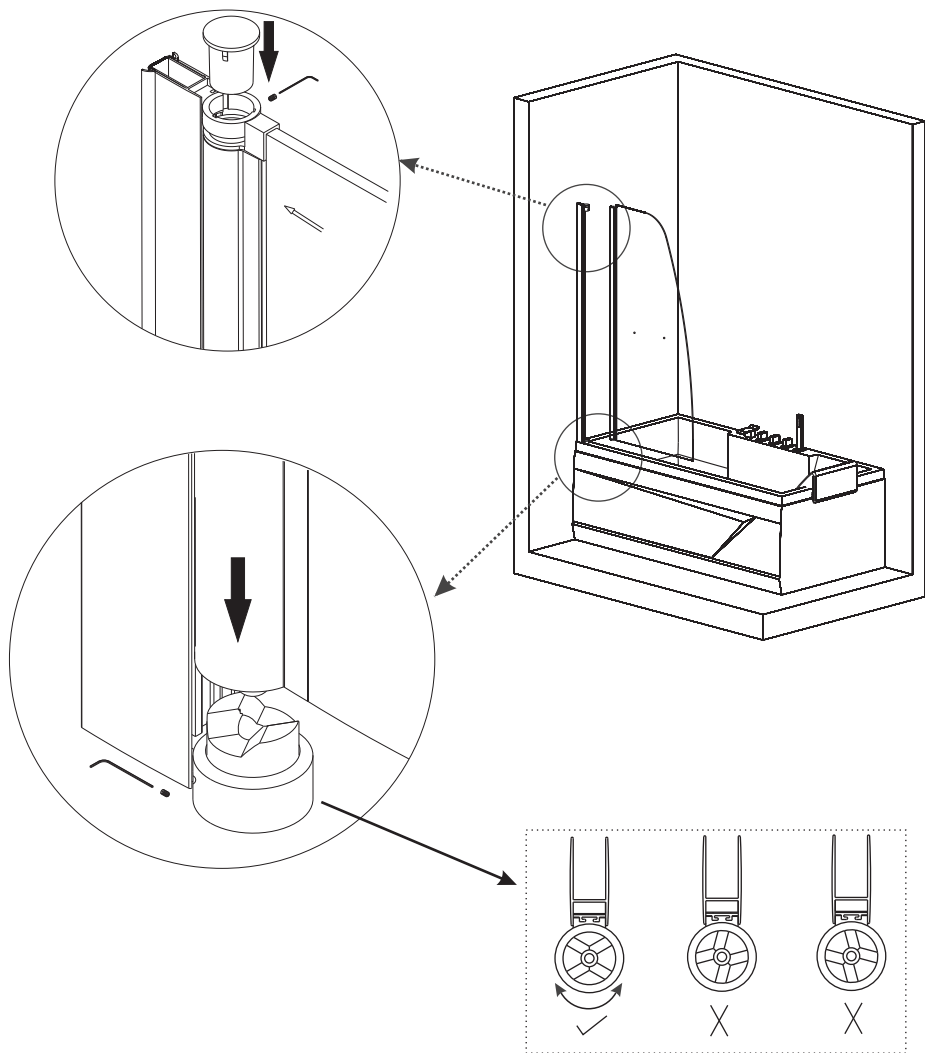


Figure 5

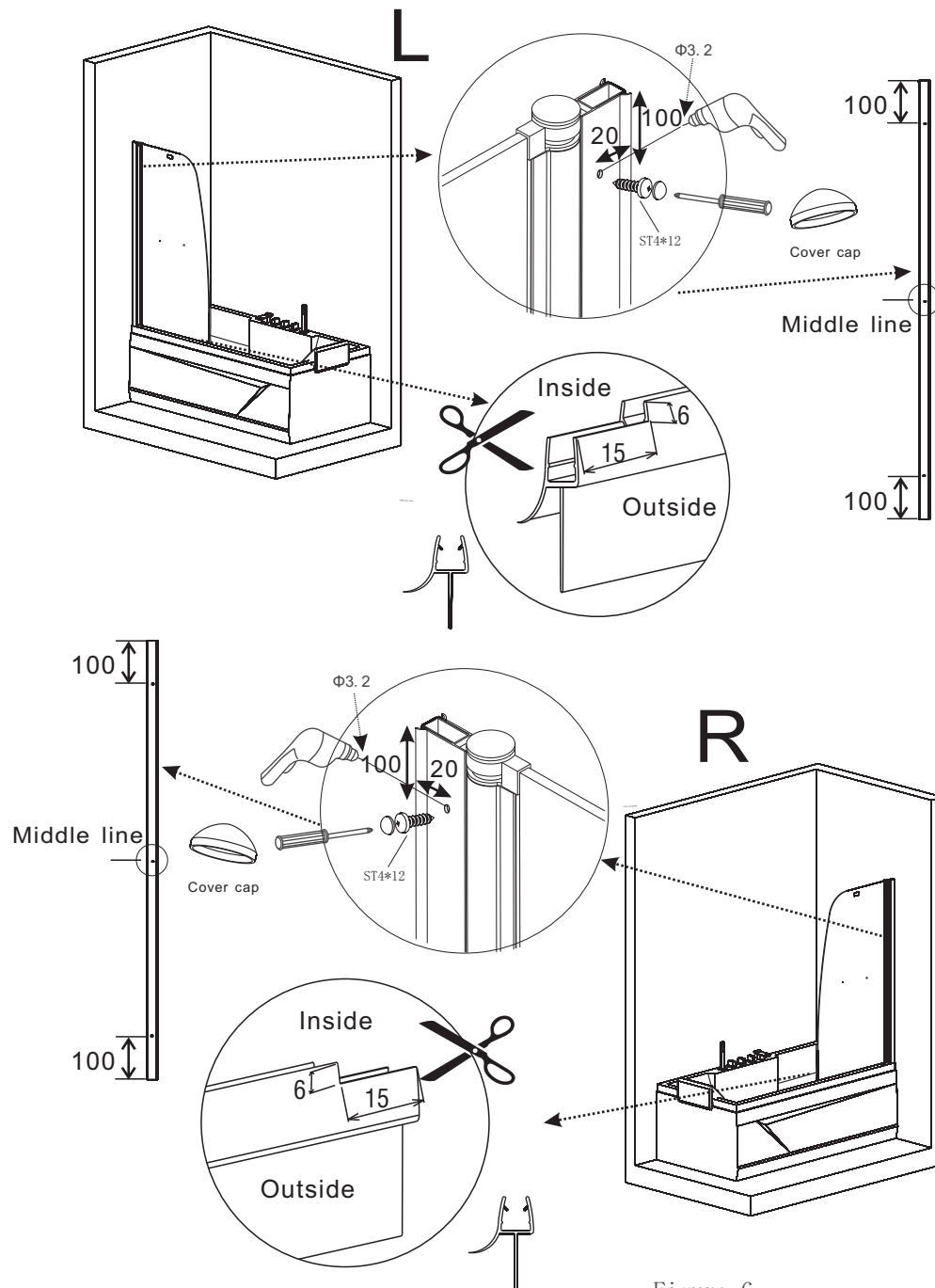


Figure 6

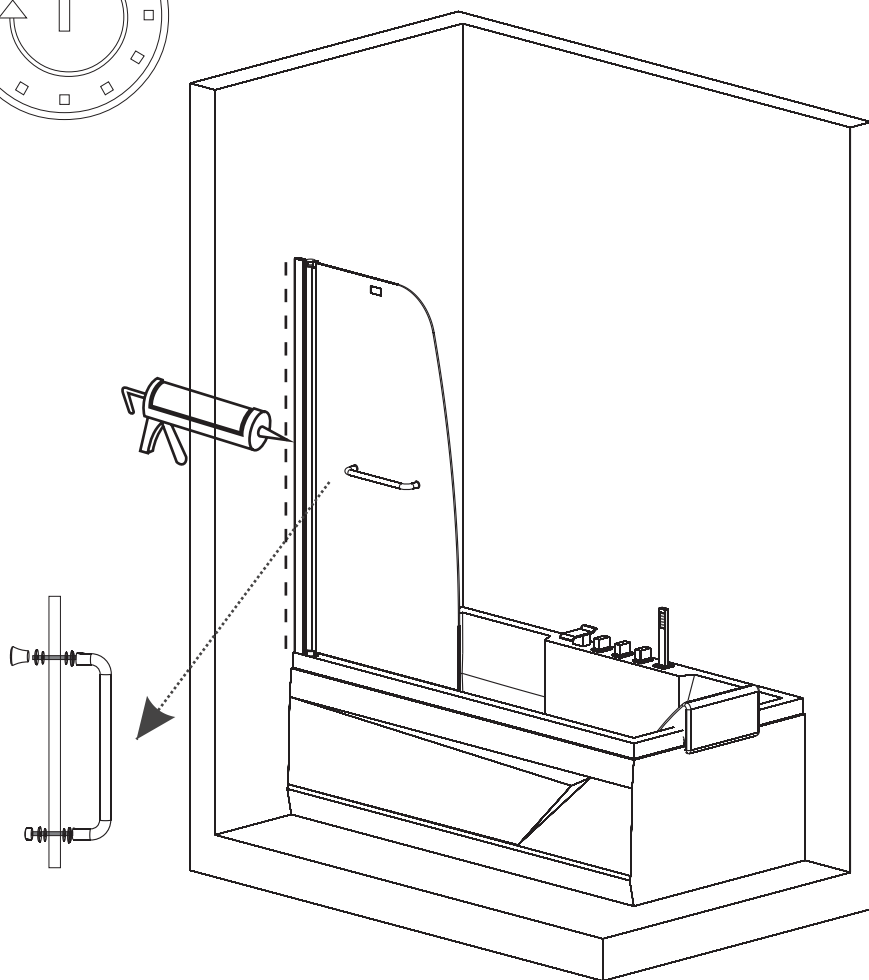
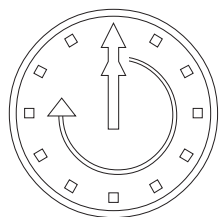


Figure 7

<p>Do not let the child, the old people, or the costive people enter the shower room independently.</p>	<p>Please do not climb up the shower room or hanging the heavy item on it.</p>	<p>Please do not rap the shower room, with the hard friction, in order to avoid breakage.</p>
<p>To avoid tumble, please pay attention the high-low variance when enter the shower room.</p>	<p>To avoid injury, please do not put the hand in the crack of door when enter the shower room.</p>	<p>In the bathtub usually have the soapy water, easy to slip, please be careful!</p>
<p>The shower room should be maintain ventilates good, in order to avoid moldy or peculiar smell because of the moisture keep in it for a long time.</p>	<p>Please use the neutral liquid detergent and the soft cloth washes and rubs the shower room, do not use the acidity, the alkalinity detergent, the alcohol, the acetone, the ammonia and so on the organic solvent, it's forbidden to use the eradicator.</p>	<p>The glass sealant falls off can cause the water leakage, therefore, once falls off, please make up by all means.</p>