

# Instructions of Shower Room



Left

Right

**S25121/S25131/S25151/S25161**

Dear customer:

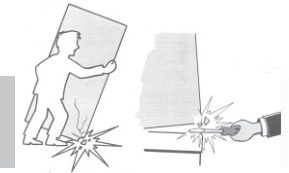
Sincerely thanks for selecting our shower room. This series of product is made of high-quality material, which is simple, natural, comfortable, practical and worth its own quality and price. It is a latest design among our leisure sanitary products, which will bring to you infinite relaxation and pleasure.

Please check whether the accessories are complete or not as per the picture and carefully study the structure of the product as well as the instruction position of the accessories.

For more information please visit our website: [www.gemy.cn](http://www.gemy.cn).

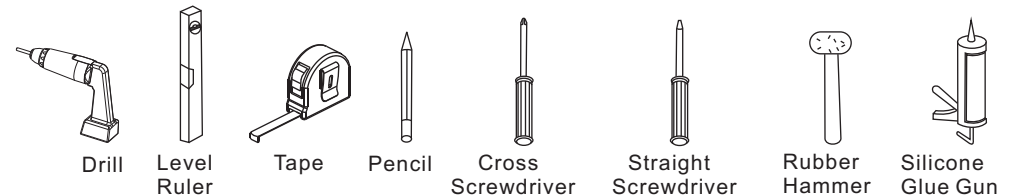


## ATTENTION

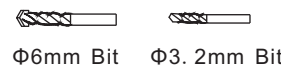


1. Children or the costive are not allowed to use the shower room alone, otherwise they may get hurt.
2. Pay attention to the soap water on the shower tray which may lead to slipping.
3. Avoid bringing burning cigarette near the tray or leaving ash on it to prevent fire or damage.
4. Don't put the stool on the tray and stand on it.
5. Avoid placing any knives e.g. shaver onto the tray to prevent scratching.
6. Avoid using any acid or alkaline solvents, drugs(e.g. hydrochloric acid) cleansing powder, buffing compound, acetone diluent and any other solvents.
7. Unpack the glass and accessories and place them upright and steady by the wall. It may damage the glass if it is put unsteadily in a horizontal way.
8. Carry the glass in a vertical but not horizontal way which should be done by two persons instead of one because it may cause accidents. Meanwhile, avoid crashing the glass onto other hard things to avoid damage or deformation.

## Installation Tools

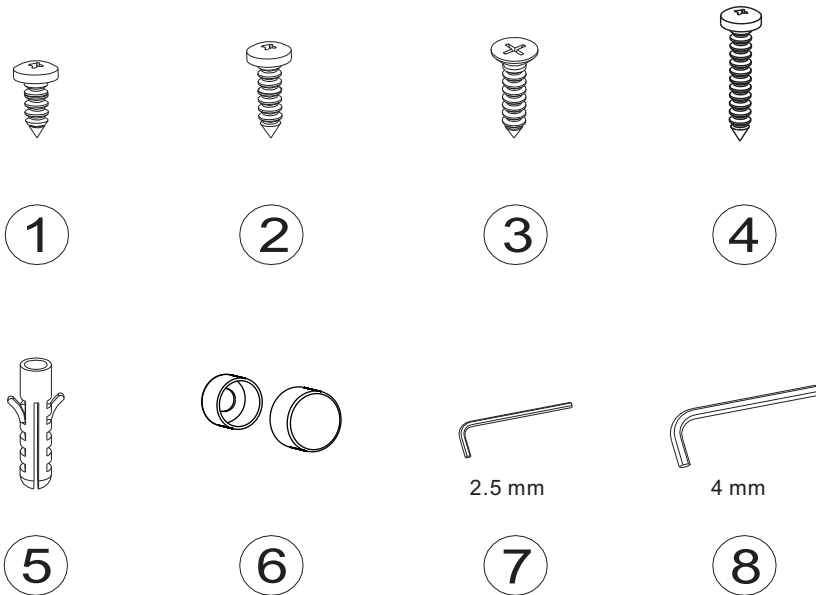


Drill    Level Ruler    Tape    Pencil    Cross Screwdriver    Straight Screwdriver    Rubber Hammer    Silicone Glue Gun



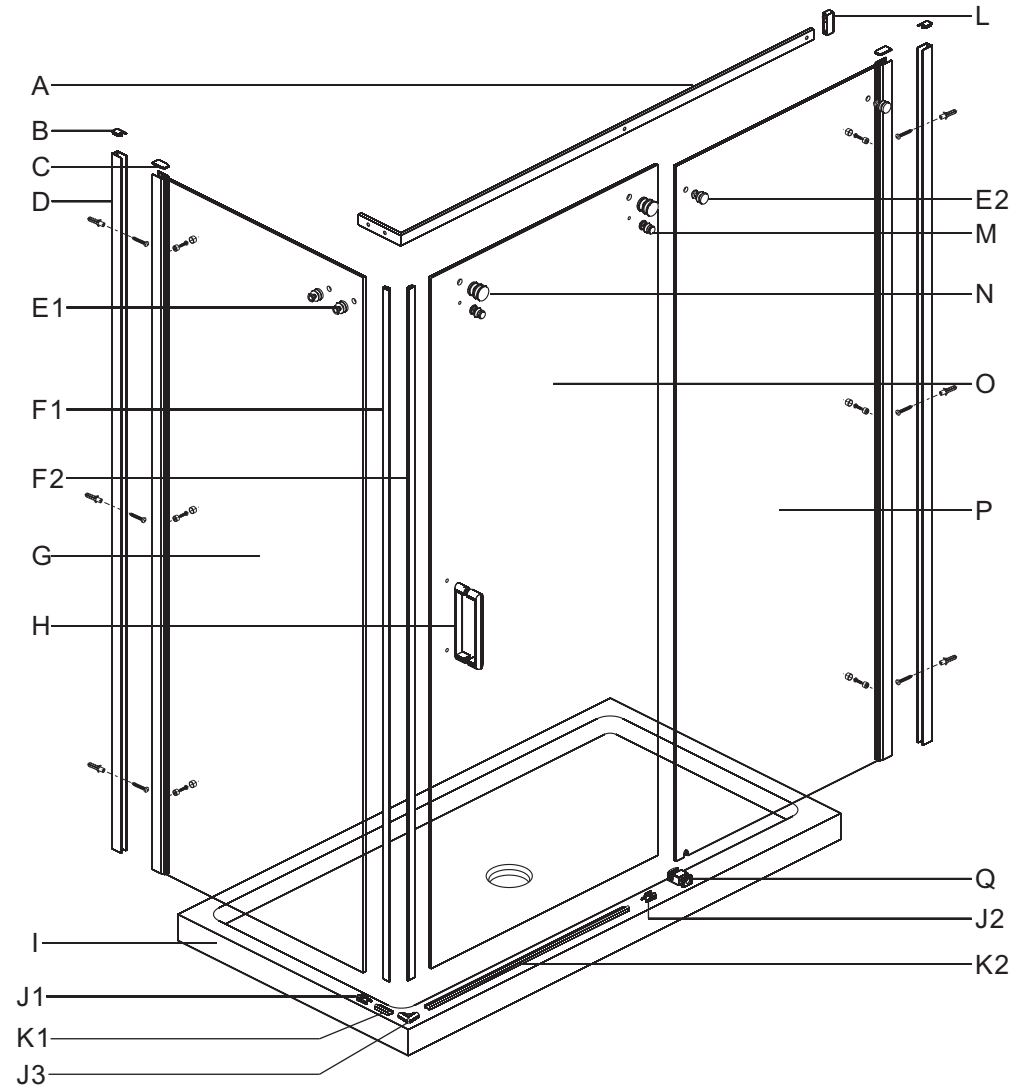
Φ6mm Bit    Φ3.2mm Bit

## Accessory List



No.	Name	Quantity
①	ST4×10 Cross pan Head Self-tapping Screw	8(6+2)
②	ST4×16 Cross pan Head Self-tapping Screw	4(2+2)
③	ST4×16 Cross socket Head Self-tapping Screw	7(5+2)
④	ST4×30 Cross pan Head Self-tapping Screw	8(6+2)
⑤	Wall plug	8(6+2)
⑥	Φ4 Screw Decorative Cap	8(6+2)
⑦	2.5mm Allen Key	1
⑧	4mm Allen Key	1

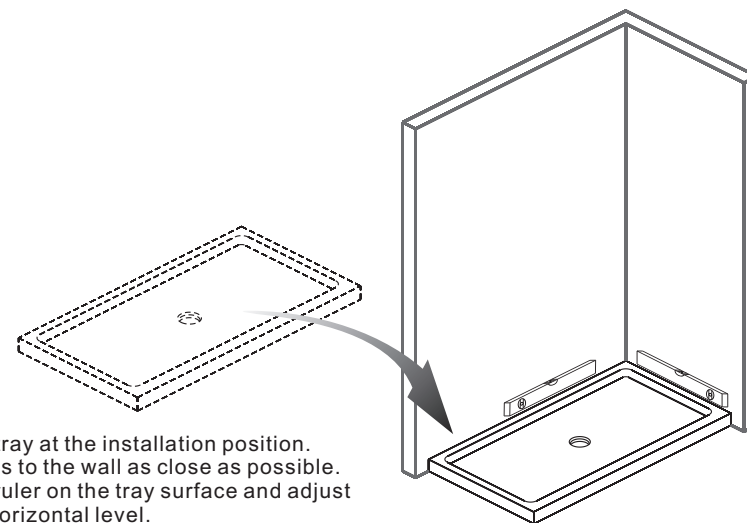
## Structure Diagram



## Accessory List

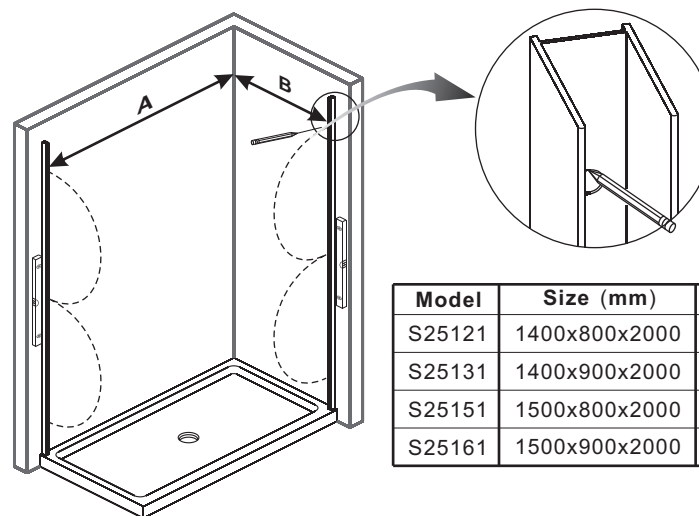
No.	Name	Quantity
A	Rail	1
B	Wall Profile Cover Cap	2
C	Upright Profile Cover Cap	2
D	Wall Profile	2
E1	Round Fix 1	2
E2	Round Fix 2	2
F1	Magnetic Stripe (Fixed Glass)	1
F2	Magnetic Stripe (Moving Glass)	1
G	Side Fixed Glass	1
H	Handle	1
I	Tray	1
J1	180°Bottom Plastic Parts (Left)	1
J2	180°Bottom Plastic Parts (Right)	1
J3	Corner Plastic Parts	1
K1	Water Retaining Profile (Short)	1
K2	Water Retaining Profile (Long)	1
L	Pulley Blocking Parts	1
M	Stabilizer	2
N	Pulley	2
O	Moving glass	1
P	Fixed Glass	1
Q	Navigation Parts	1

## Step 1 Tray Installation



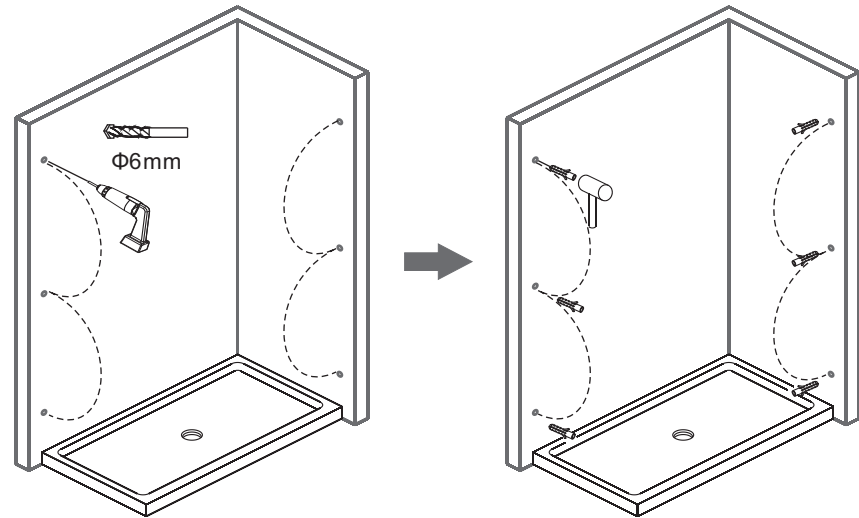
Place the tray at the installation position. Keep its edges to the wall as close as possible. Put the level ruler on the tray surface and adjust the tray at a horizontal level.

## Step 2 Wall Aluminum Installation



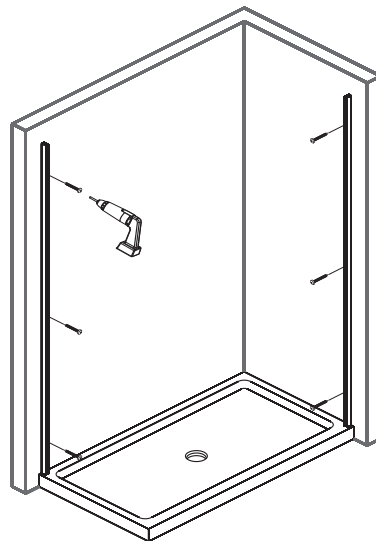
Model	Size (mm)	A (mm)	B (mm)
S25121	1400x800x2000	1363	763
S25131	1400x900x2000	1363	863
S25151	1500x800x2000	1463	763
S25161	1500x900x2000	1463	863

1. Place the wall profile at the installation position. Make sure that it should stand vertically on the tray. Then mark the hole position of it with pencil.



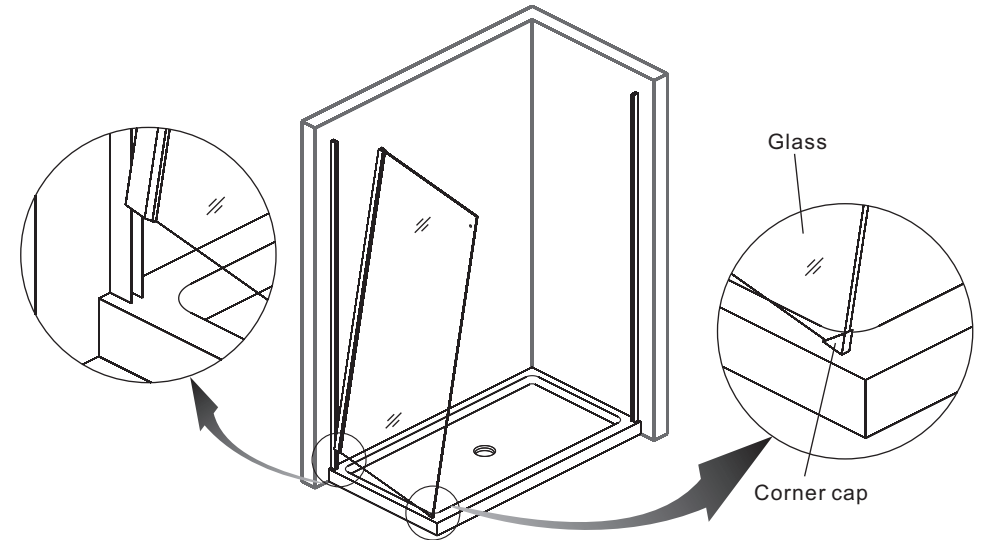
Drill  $\Phi 6\text{mm}$  hole at the marked position and fill in the wall plug.

Ref④  
6X ST4×30

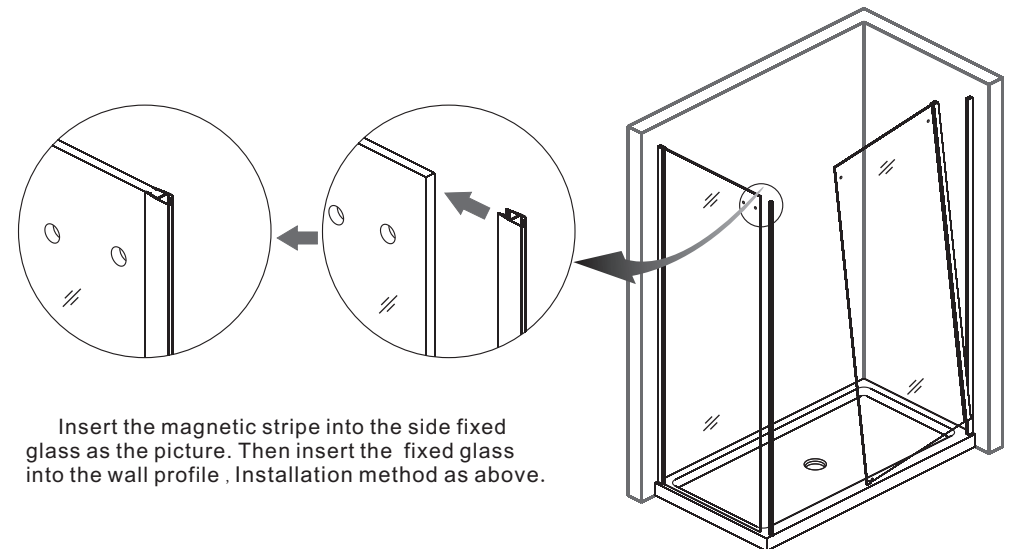


Place the side aluminum profile at the installation position. fix the profile onto the wall (make sure it should be vertical) with ST4×30.

### Step 3 Fixed glass Installation

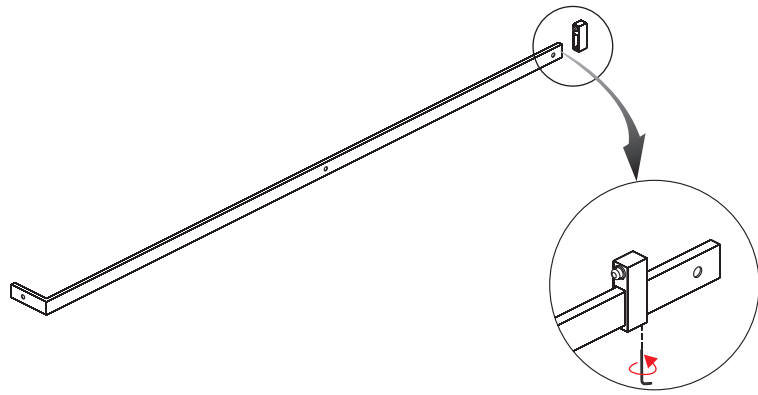


Insert the side fixed glass into the wall aluminum profile as the picture. (Attention: do not take out the corner cap until the fixed glass is completely inserted into the profile.)

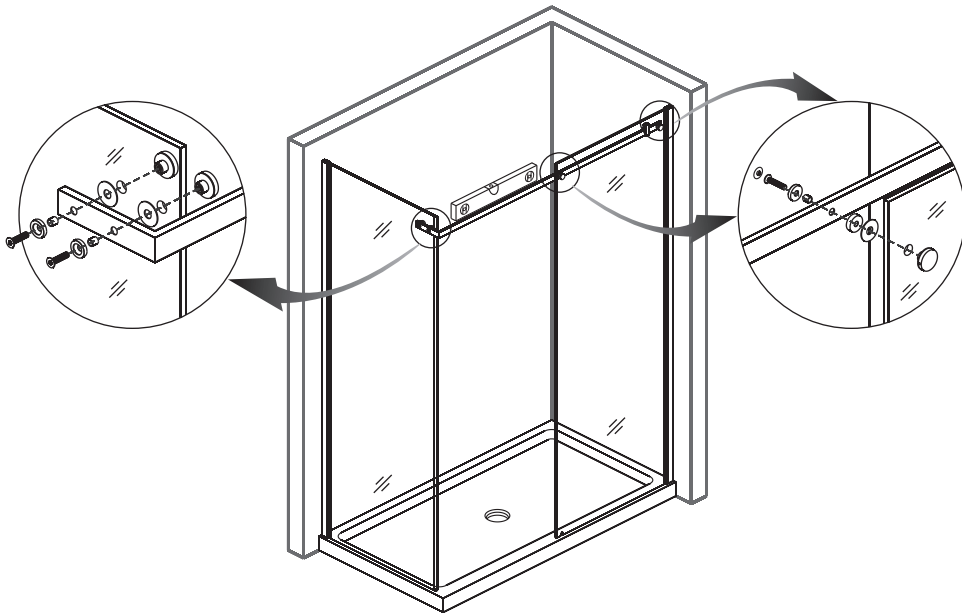


Insert the magnetic stripe into the side fixed glass as the picture. Then insert the fixed glass into the wall profile. Installation method as above.

## Step 4 Rail Installation

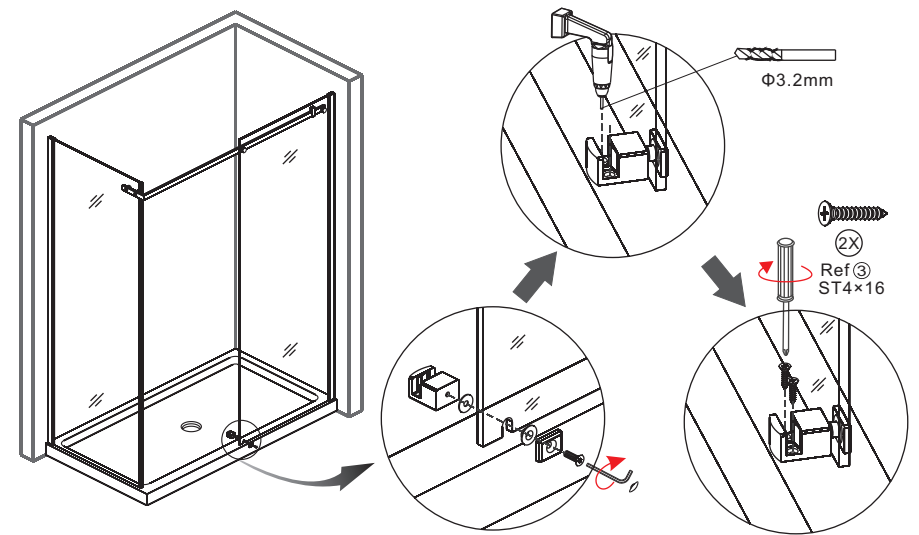


Pulley Blocking Parts inserted into the rail and with 4# hex key to tighten.

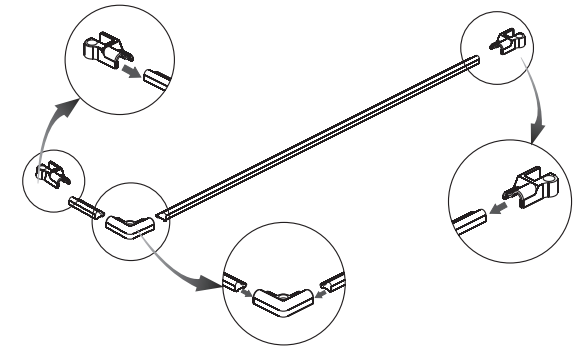


Fix the rail onto the fixed glass with the round fix as the picture and make sure that the rail is horizontally installed.

## Step 5 Installation of the navigation parts and bottom water-retaining aluminum parts

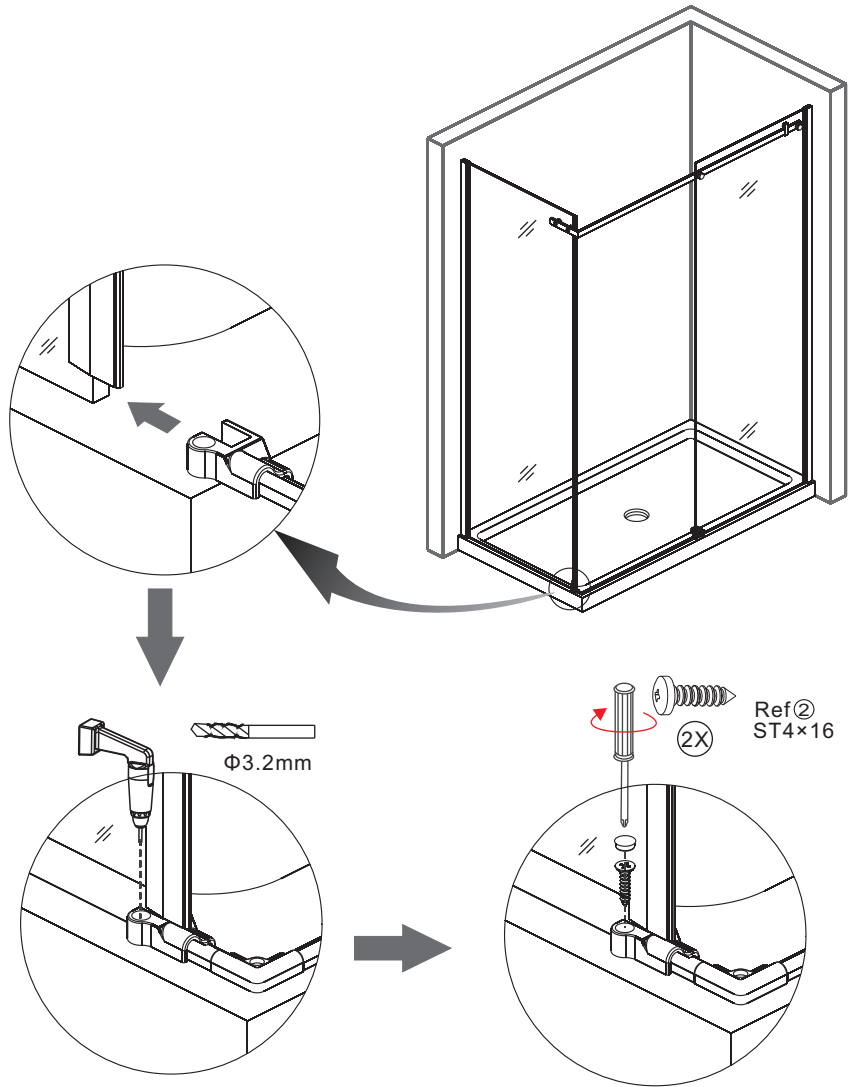


Fix the navigation parts onto the glass as the picture. Adjust the glass to be parallel with the edge of the tray. Then drill the hole on the navigation parts with the  $\Phi 3.2\text{mm}$  drill bit. Tighten the navigation parts to the tray with ST4x16 cross head self-tapping screws.

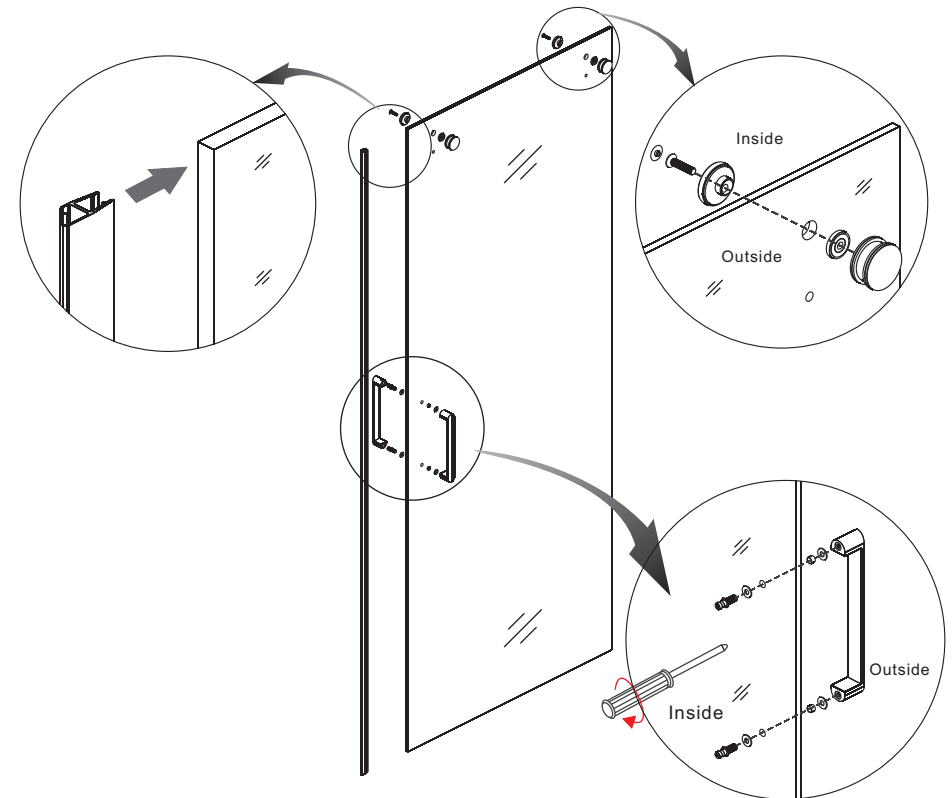


Insert 180° bottom plastic parts and corner plastic parts into the water-retaining profile.

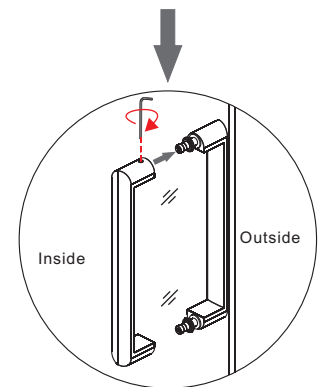
## Step 6 Installation of door parts



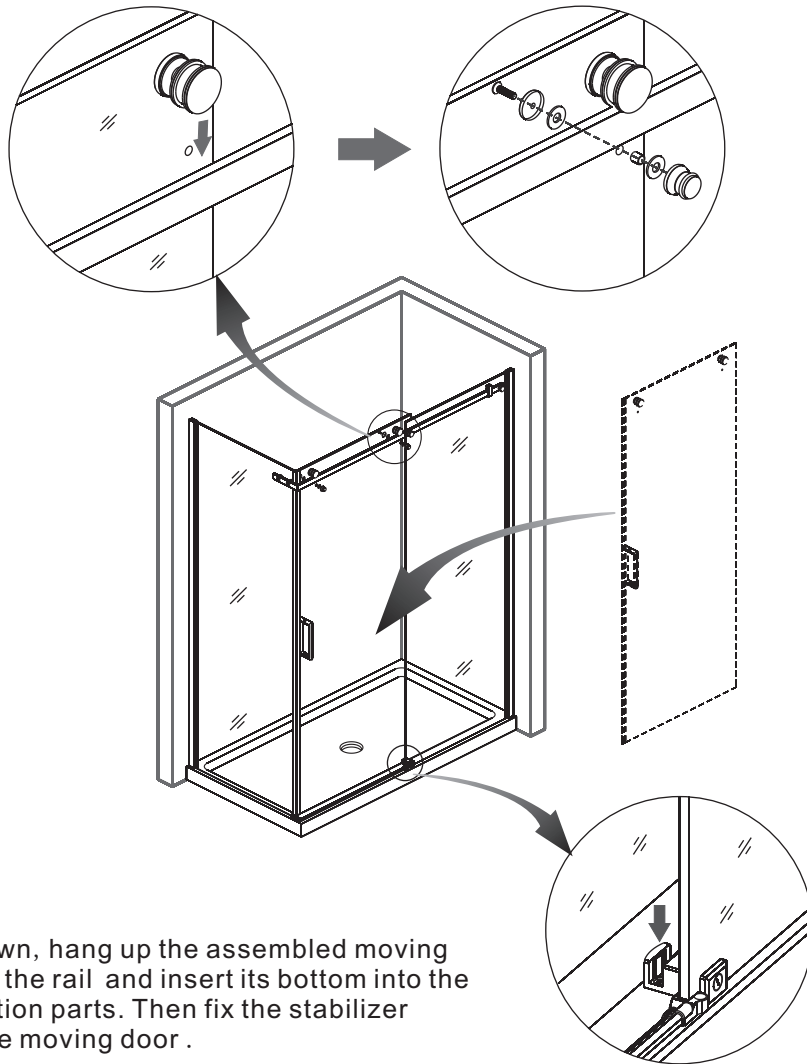
Insert the assembled water-retaining profile into the glass(G&P) as the picture. Adjust it to be parallel with the edge of the tray. Then aim at the hole on the 180° bottom plastic parts (J1&J2) and corner plastic parts (J3), then drill a hole on the tray with the Φ3.2mm bit. Tighten the 180° bottom plastic parts (J1&J2) and corner plastic parts (J3) to the tray(I) with ST4×16 cross head self-tapping screws.



According to the figure, the magnetic stripe, wheels, handle install on moving glass.

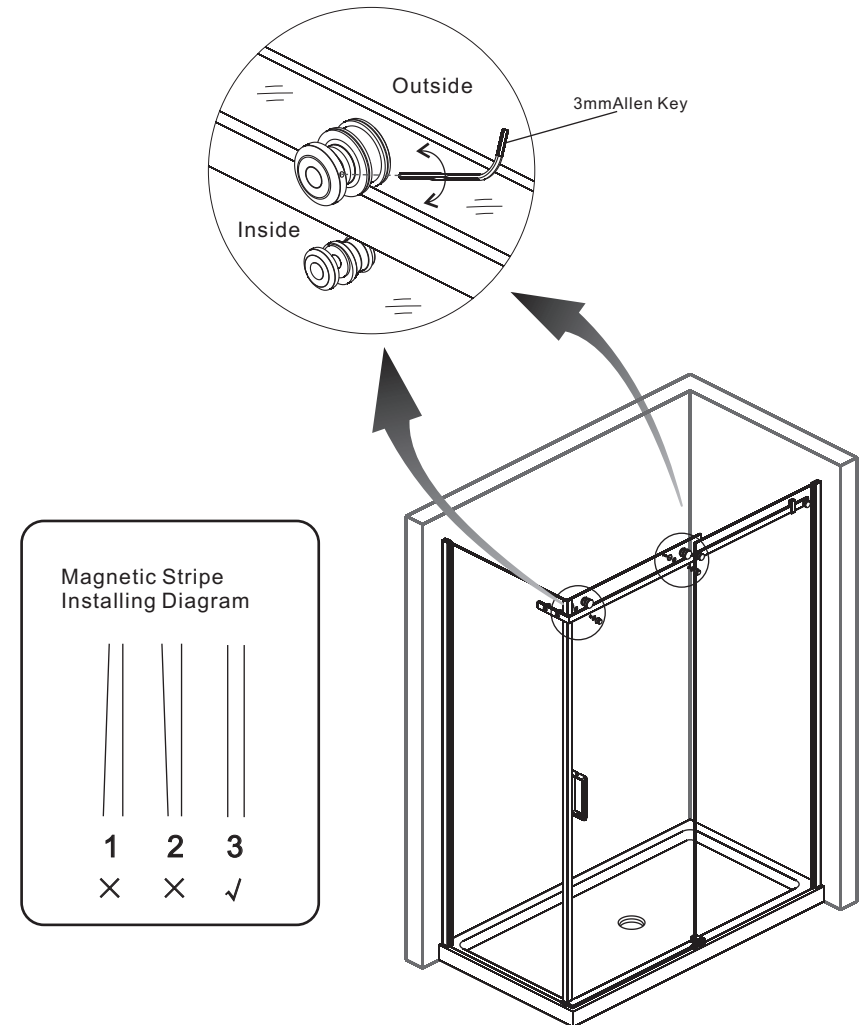


## Step 7 Installation the moving door



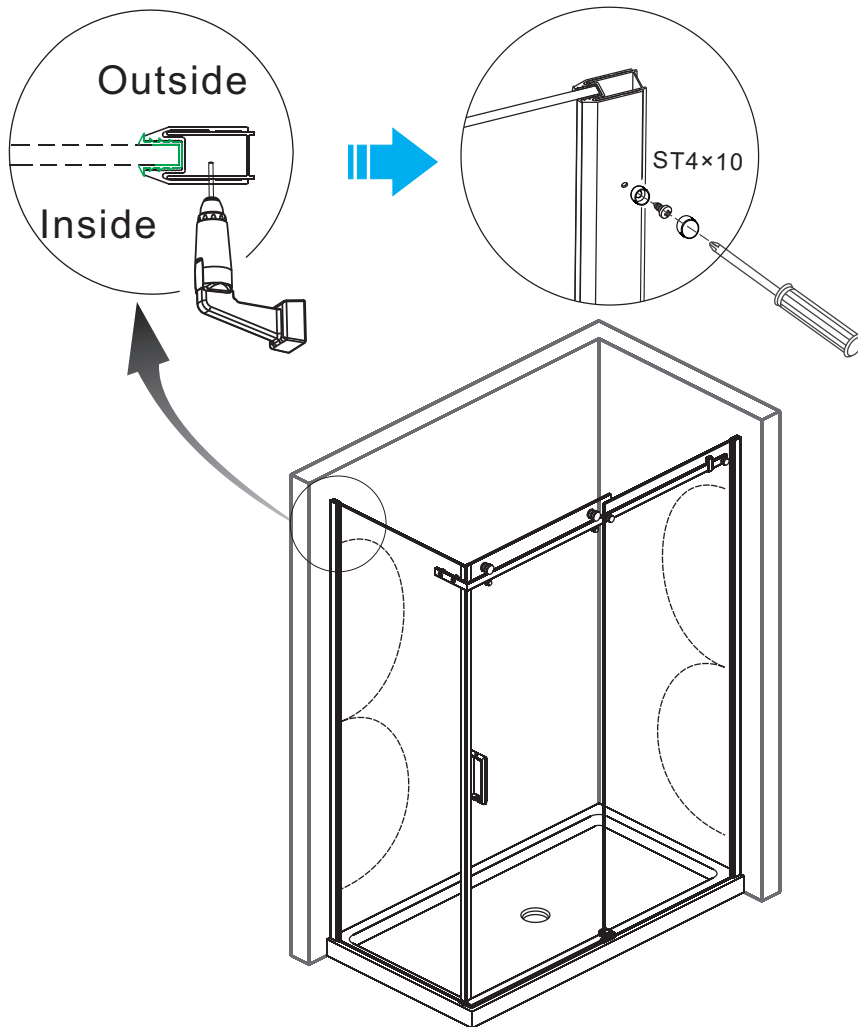
As shown, hang up the assembled moving door to the rail and insert its bottom into the navigation parts. Then fix the stabilizer onto the moving door.

## Step 8 Adjusting the moving door



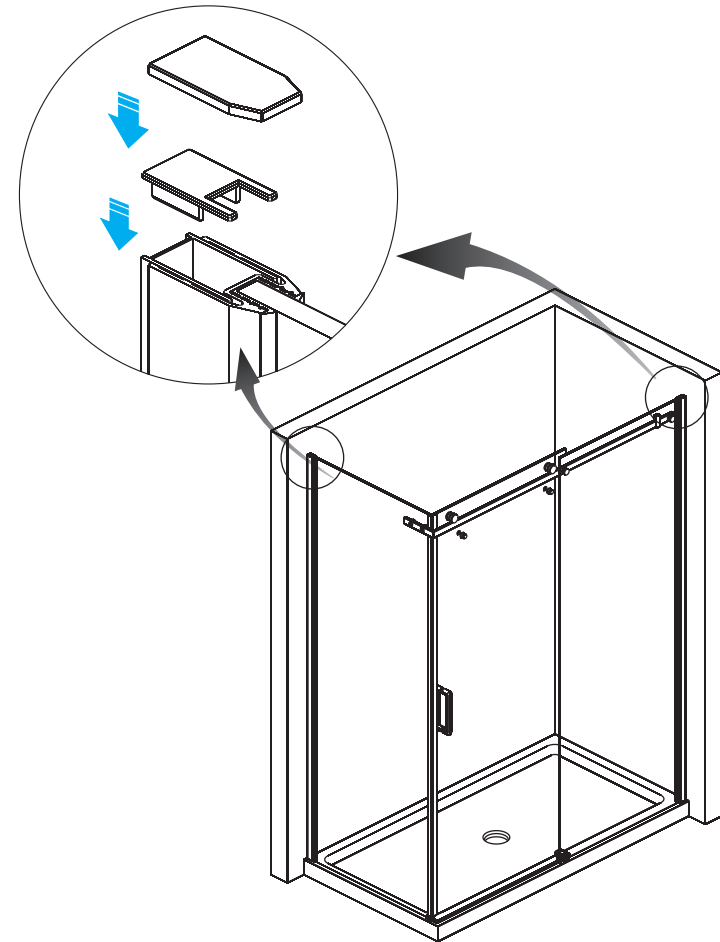
Check out whether the moving door slides smoothly, the magnetic stripe works well and the gaps are same up and down. Adjust the pulleys to make the magnetic stripes to be the third state as shown above.

## Step 9 Installation and adjustment screws



1. Make sure the magnetic stripes are in the best condition and moving door can be smoothly slid and all parts are installed correctly. Then drill  $\Phi 3.2\text{mm}$  holes into the hole marks on the upright profile with drill.
2. Tighten upright profile with ST4x16 cross head self-tapping screws covered by decorative caps by using cross head screwdriver.

## Step 8 Installation of cover cap



Fix the cover cap on the wall profile and upright profile.

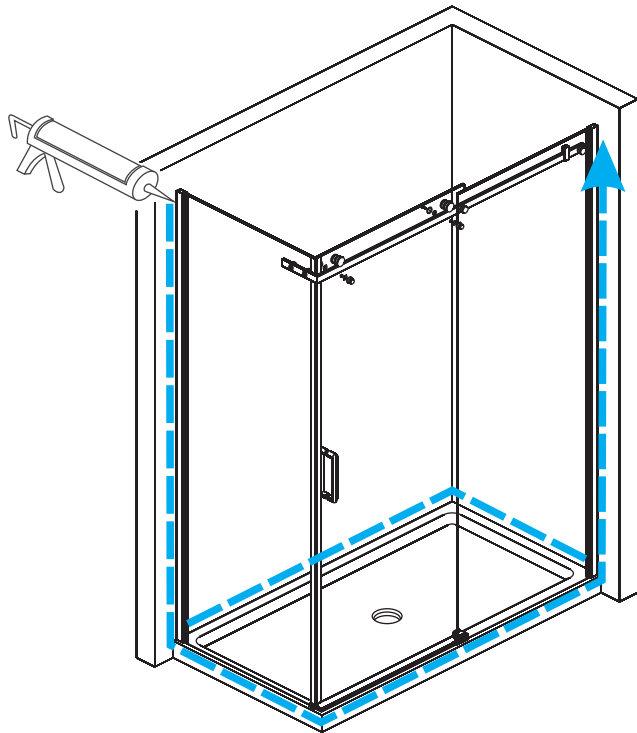


Step 9 Plastic glass



**24 Hours**

Note:  
Allow 24 hours for  
silicone to dry.



As shower, silicone for shower room. The shower room can be used 24 hours later after installation.

<p>Do not let the child, the old people, or the costive people enter the shower room alone.</p>	<p>Do not climb up the shower room or hang the heavy item on it.</p>	<p>Do not rap the shower room with the hard friction, in order to avoid breakage.</p>
<p>To avoid tumble, please pay attention to the height difference when enter the shower room.</p>	<p>To avoid injury, please do not put the hand in the crack of the door when enter the shower room.</p>	<p>In the bathtub usually have the soapy water, easy to slip, please be careful!</p>
<p>The shower room should be maintain ventilates good, in order to avoid moldy or peculiar smell caused by of the moisture keep in it for a long time.</p>	<p>Please use the neutral liquid detergent and the soft cloth washes and rubs the shower room, do not use the acidity, the alkalinity detergent, the alcohol, the acetone, the ammonia and so on the organic solvent, it's forbidden to use the eradicator.</p>	<p>The glass sealant falls off can cause the water leakage, therefore, once falls off, please make up by all means.</p>

Foshan Ailihua Sanitary Ware Co.,Ltd  
Add: Shanghua Industrial District,  
Lecong Town, Shunde, Foshan, China  
Tel:+86- 757-28972501  
Fax: +86- 757-28100121  
Email: export@gemy.cn