

Instructions of Shower Room



Left



Right

S25191A/S25191B

Dear customer:

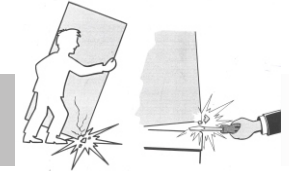
Sincerely thanks for selecting our shower room. This series of product is made of high-quality material, which is simple, natural, comfortable, practical and worth its own quality and price. It is a latest design among our leisure sanitary products, which will bring to you infinite relaxation and pleasure.

Please check whether the accessories are complete or not as per the picture and carefully study the structure of the product as well as the instruction position of the accessories.

For more information please visit our website: www.gemy.cn.

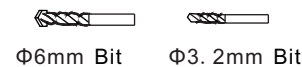
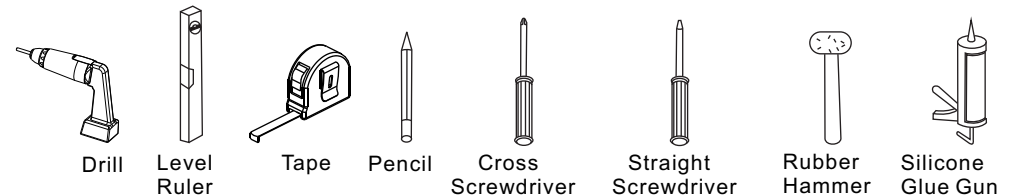


ATTENTION

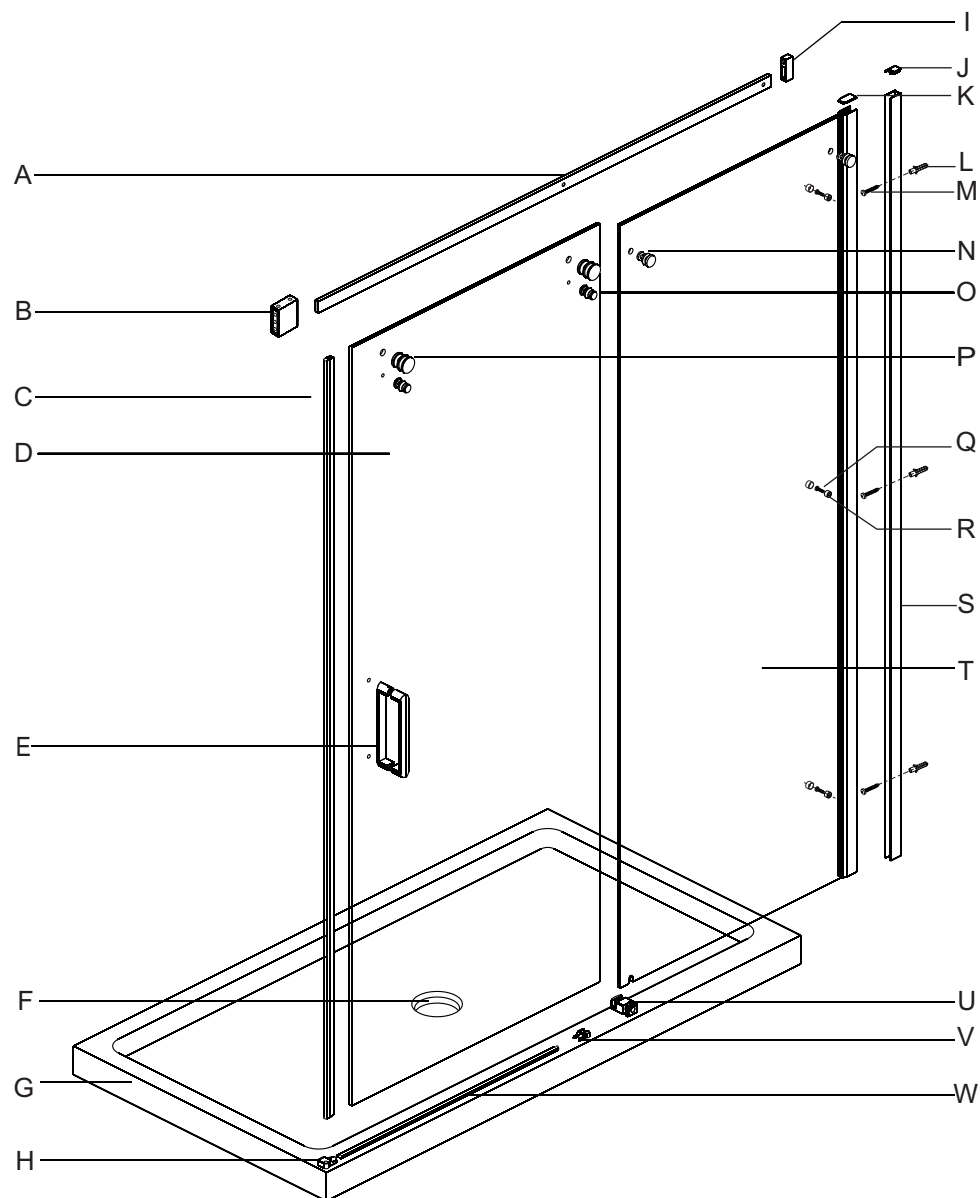


1. Children or the costive are not allowed to use the shower room alone, otherwise they may get hurt.
2. Pay attention to the soap water on the shower tray which may lead to slipping.
3. Avoid bringing burning cigarette near the tray or leaving ash on it to prevent fire or damage.
4. Don't put the stool on the tray and stand on it.
5. Avoid placing any knives e.g. shaver onto the tray to prevent scratching.
6. Avoid using any acid or alkaline solvents, drugs(e.g. hydrochloric acid) cleansing powder, buffing compound, acetone diluent and any other solvents.
7. Unpack the glass and accessories and place them upright and steady by the wall. It may damage the glass if it is put unsteadily in a horizontal way.
8. Carry the glass in a vertical but not horizontal way which should be done by two persons instead of one because it may cause accidents. Meanwhile, avoid crashing the glass onto other hard things to avoid damage or deformation.

Installation Tools



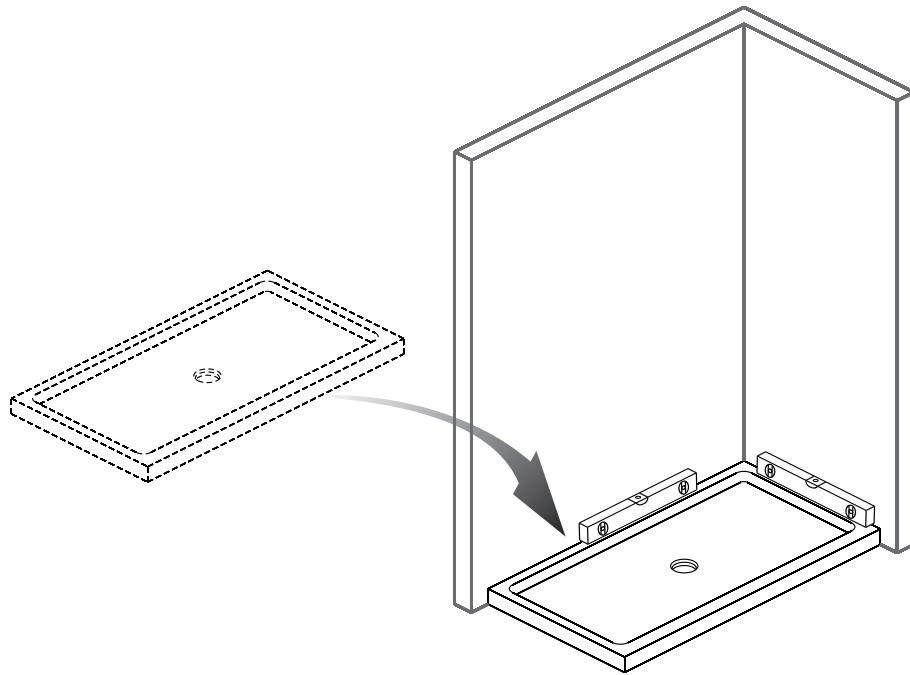
Structure Diagram



Accessory List

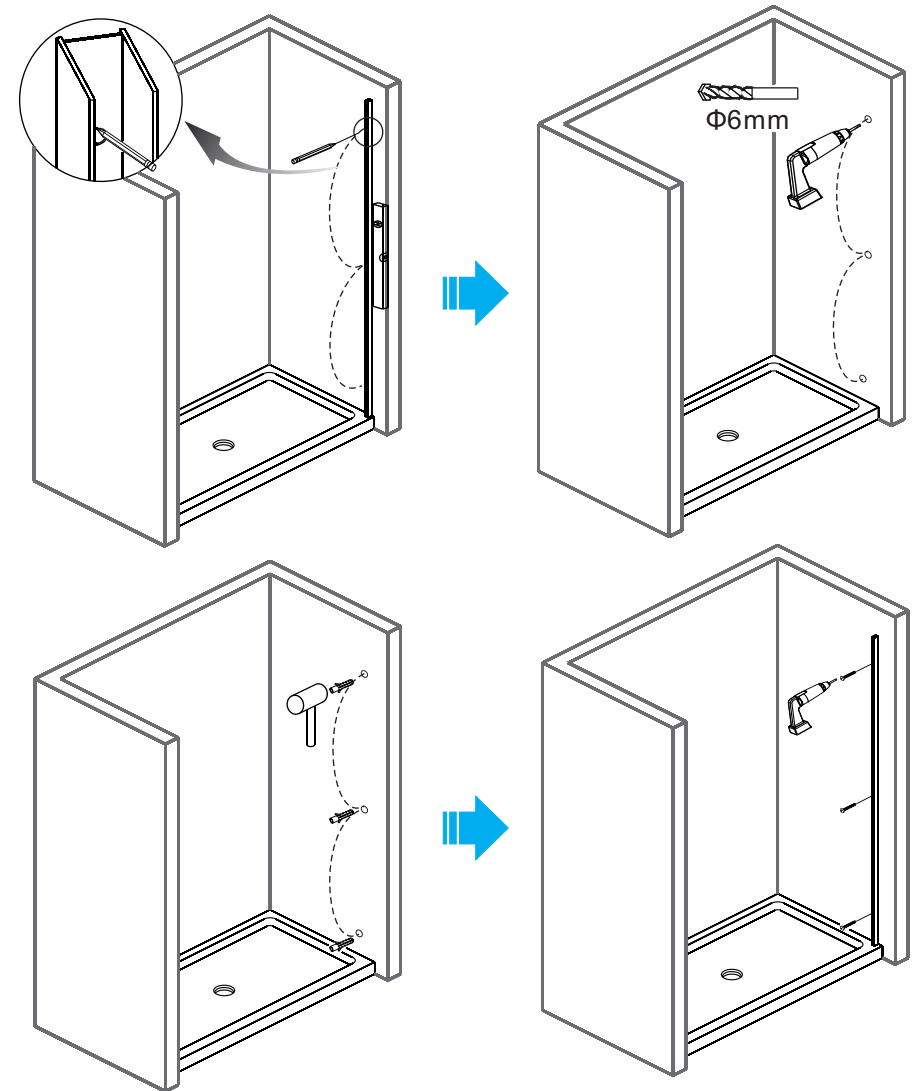
No.	Name	Quantity
A	Rail	1
B	Stainless steel bracket	1
C	Stripe	1
D	Moving glass	2
E	Handle	1
F	Drainer	1
G	Tray	1
H	180° Bottom Plastic Parts (Left)	1
I	Pulley Blocking Parts	1
J	Wall Profile Cover Cap	1
K	Upright Profile Cover Cap	1
L	Wall Plug	6
M	ST4×30 Screw	6
N	Fixed Screw	2
O	Stabilizer	2
P	Pulley	2
Q	ST4×14 Screw	3
R	Φ4 Screw Decorative Cap	6
S	Wall Profile	1
T	Fixed Glass	1
U	Navigation Parts	1
V	180° Bottom Plastic Parts (Right)	1
W	Water Retaining Profile	1

Step 1 Tray Installation



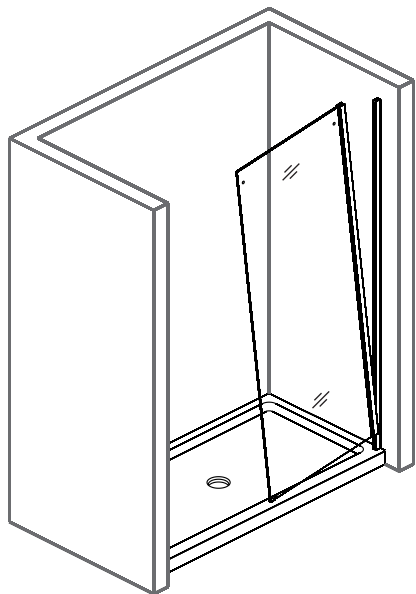
Place the tray at the installation position. Keep its edges to the wall as close as possible. Put the level ruler on the tray surface and adjust the tray at a horizontal level.

Step 2 Wall Profile Installation

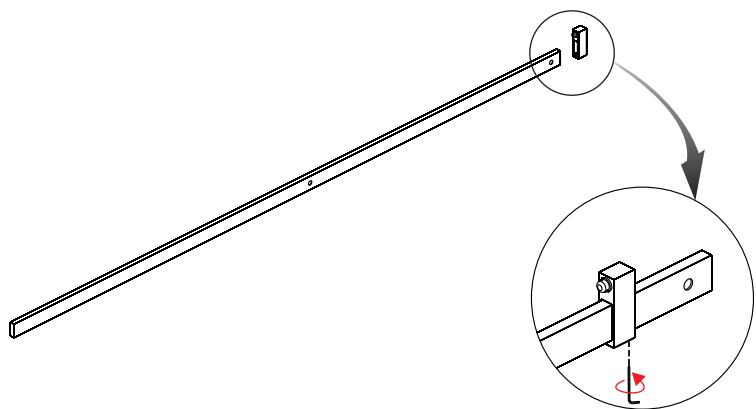


1. Place the wall profile at the installation position. Make sure that it should stand vertically on the tray. Then mark the hole position of it with pencil.
- 2-3. Drill $\Phi 6\text{mm}$ hole at the marked position and fill in the wall plug.
4. Then fix the profile onto the wall (make sure it should be vertical) with ST4×30.

Step 3 Fixed Glass Installation

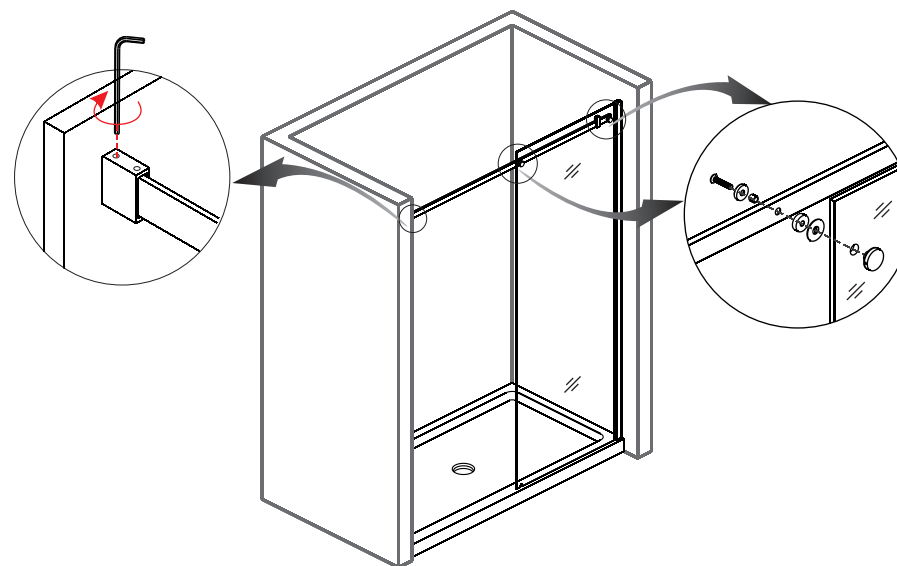
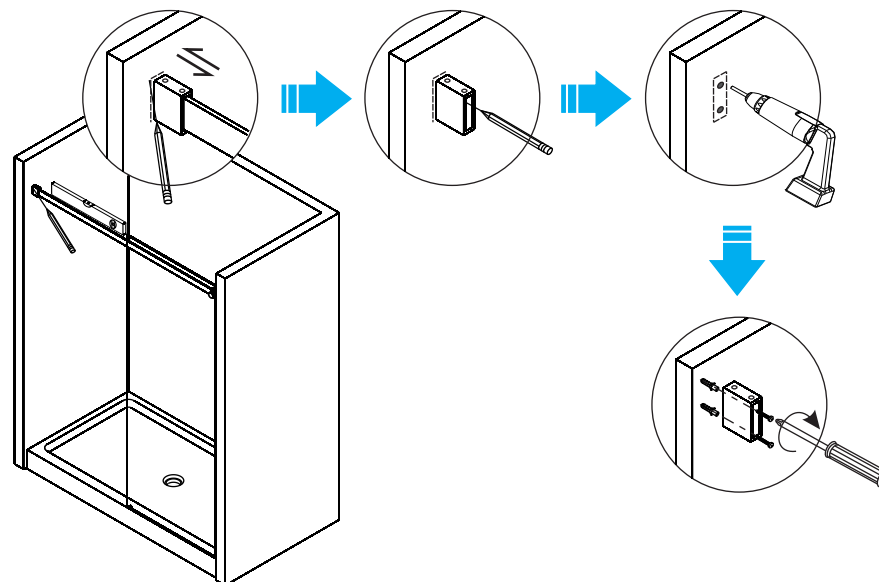


As shown, the fixed glass Inserted into the wall profile.

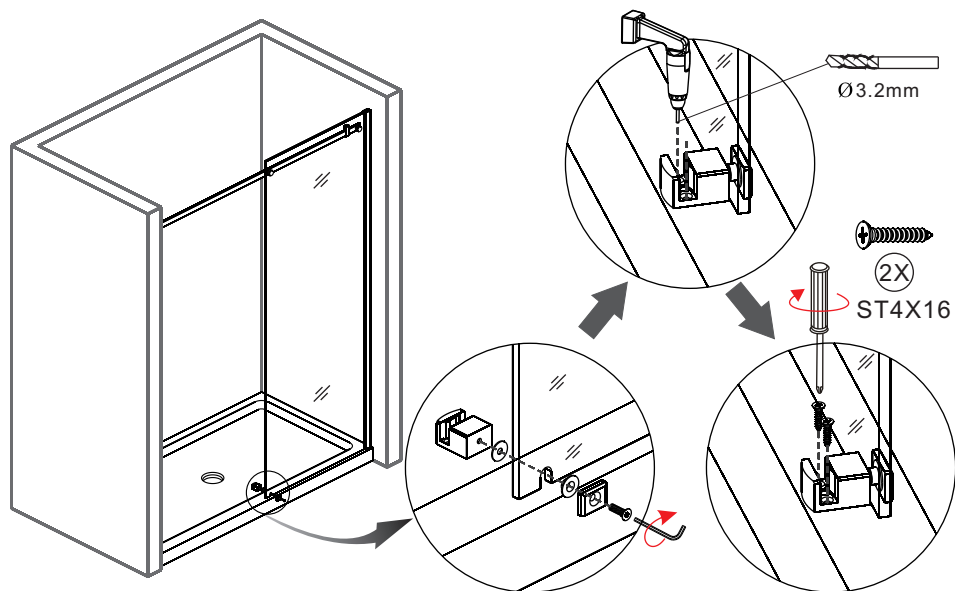


Pulley Blocking Parts inserted into the rail and with 4# hex key to tighten.

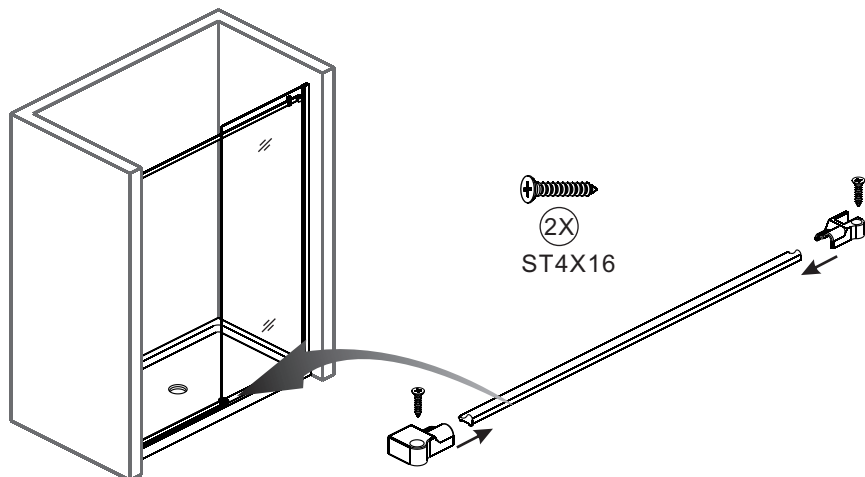
Step 4 Rail Installation



Step 5 Installation of the navigation parts and bottom water-retaining aluminum parts

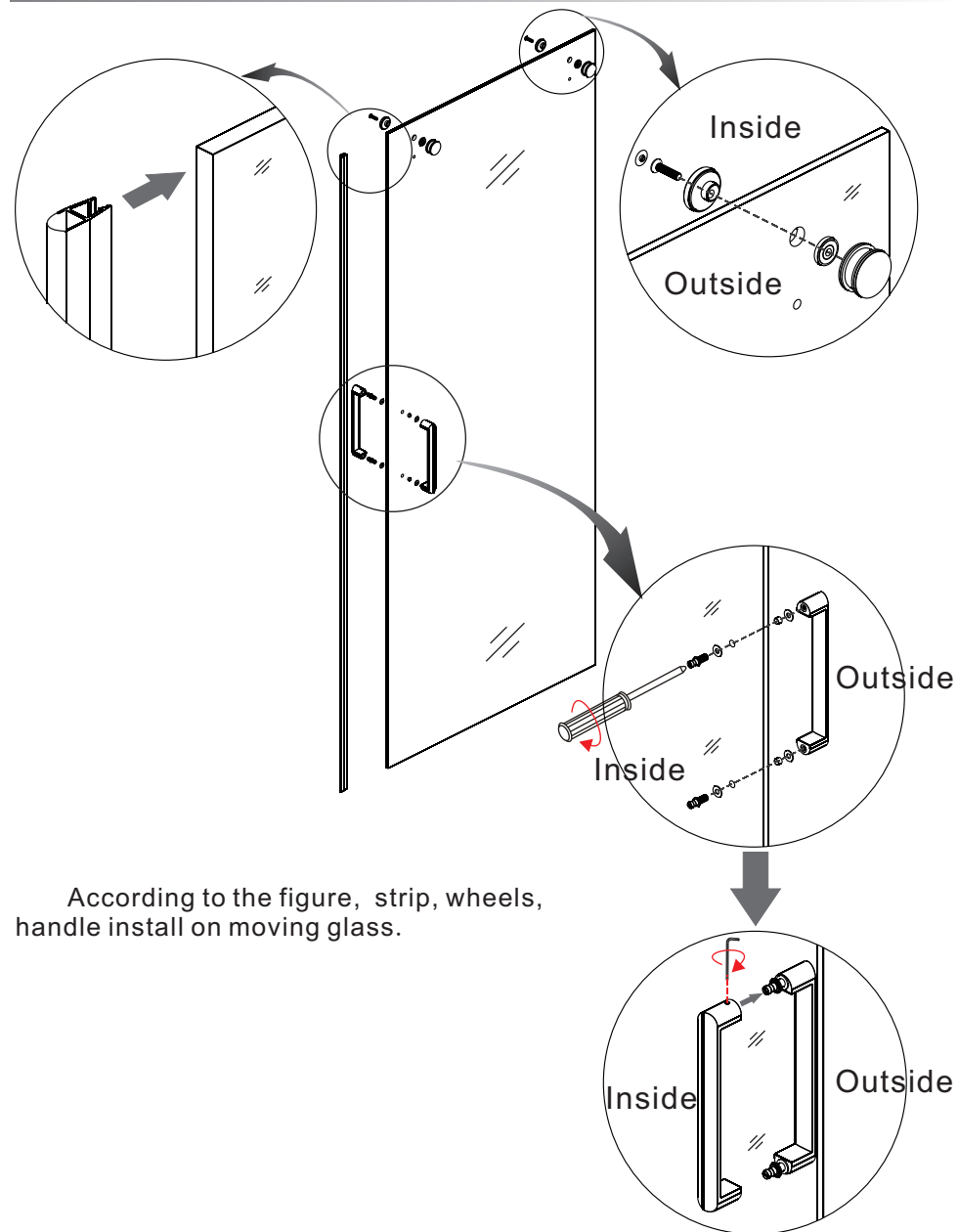


Fix the navigation parts onto the glass as the picture. Adjust the glass to be parallel with the edge of the tray. Then drill the hole on the navigation parts with the $\Phi 3.2\text{mm}$ drill bit. Tighten the navigation parts to the tray with ST4×16 cross head self-tapping screws.



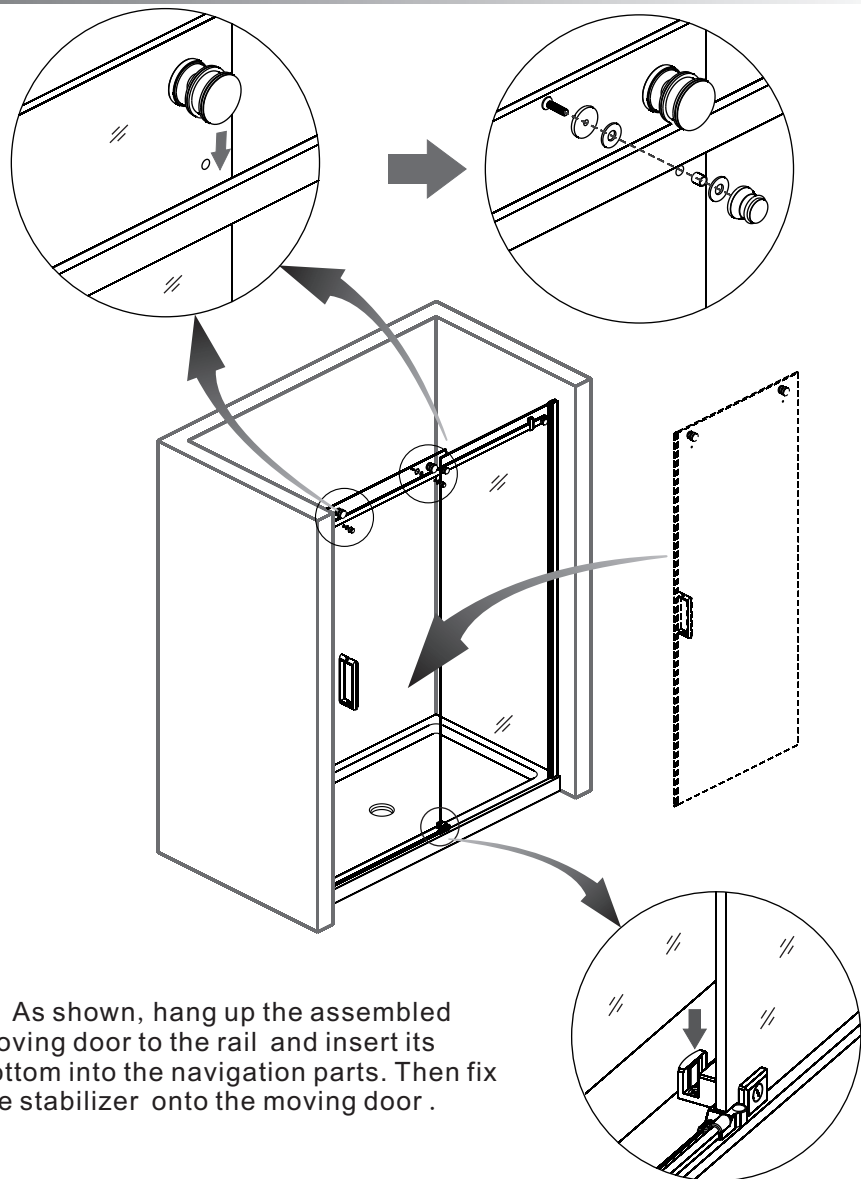
Insert 180° bottom plastic parts into the water-retaining aluminum. Installation method as above.

Step 6 Installation of Door parts



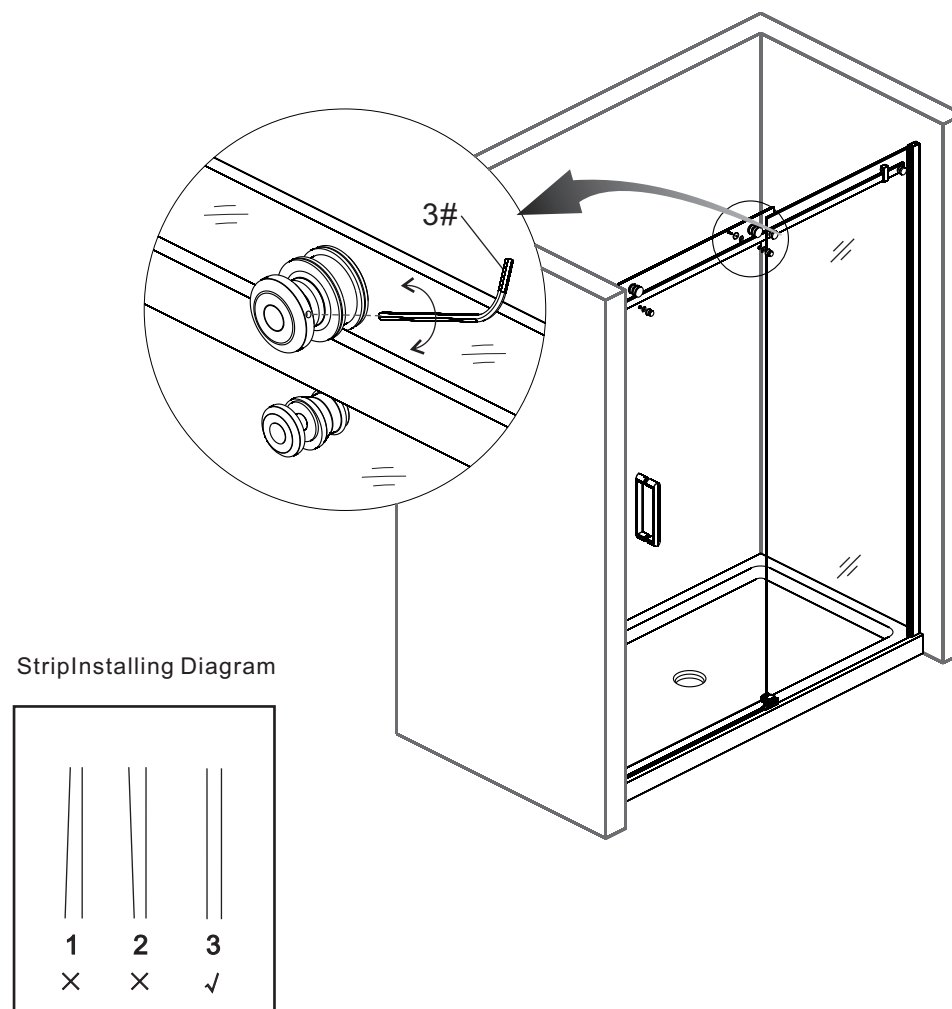
According to the figure, strip, wheels, handle install on moving glass.

Step 7 Installation the moving glass



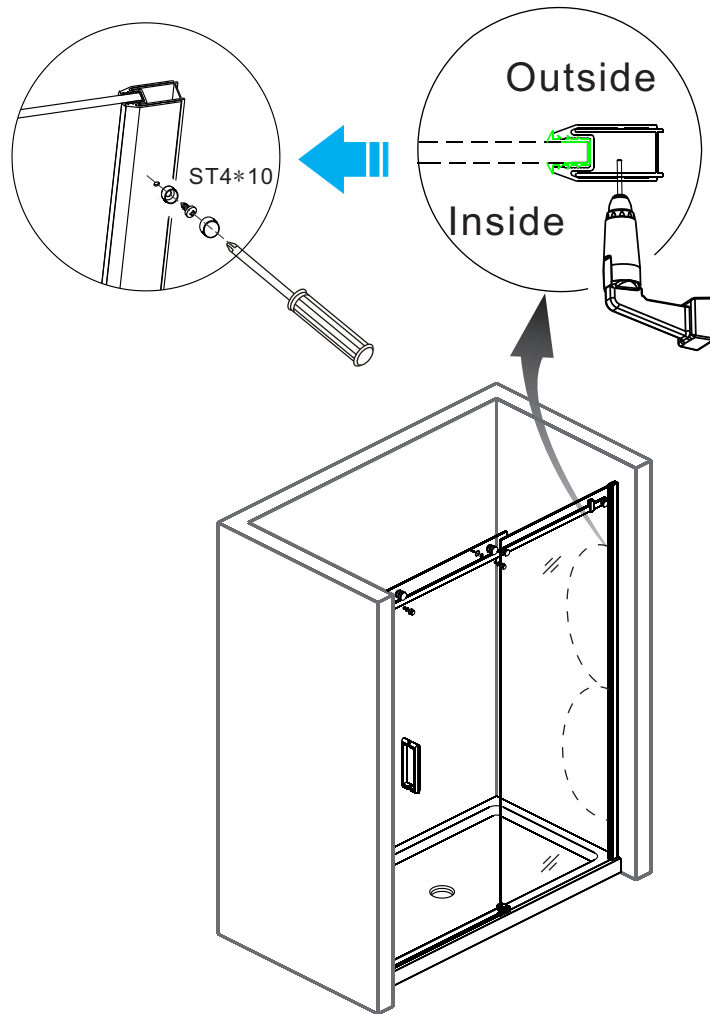
As shown, hang up the assembled moving door to the rail and insert its bottom into the navigation parts. Then fix the stabilizer onto the moving door.

Step 8 Adjusting the moving glass



Check out whether the moving door slides smoothly, the strip works well and the gaps are same up and down. Adjust the pulleys to make the strip to be the third state as shown above.

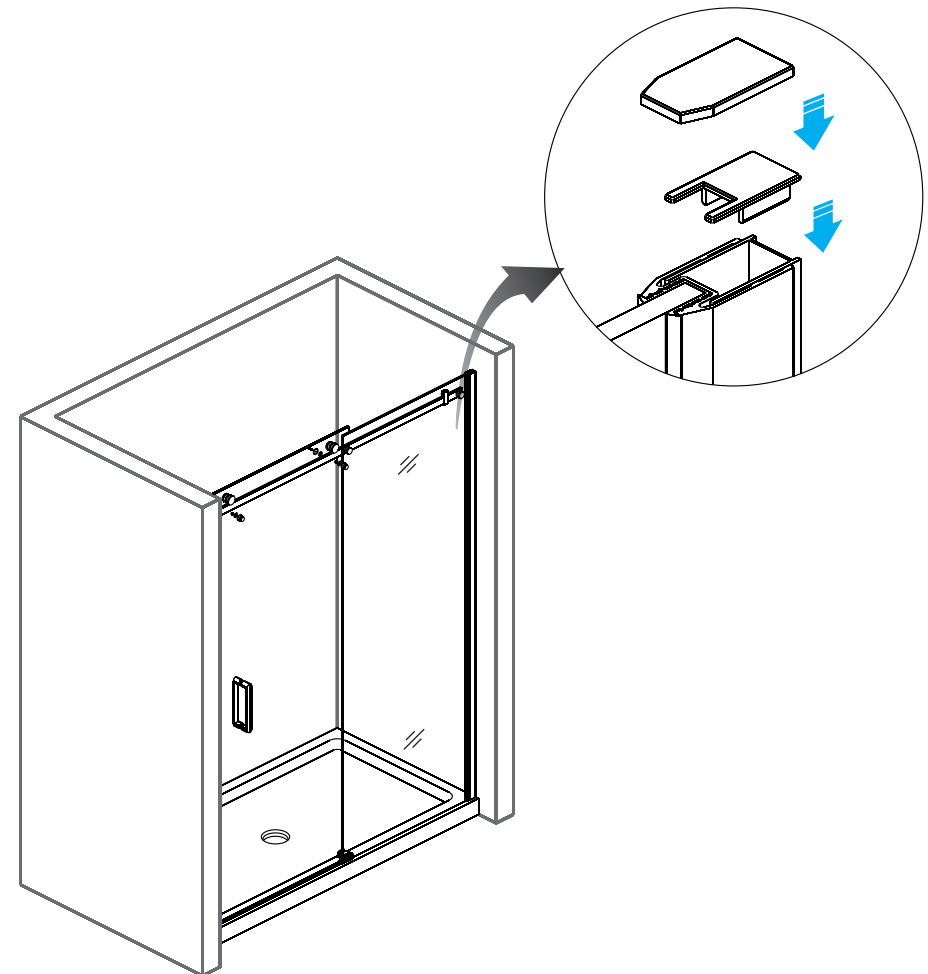
Step 9 Installation and adjustment screws



1. Make sure the strip are in the best condition and moving door can be smoothly slid and all parts are installed correctly. Then drill $\Phi 3.2$ mm holes into the hole marks on the upright profile with drill.

2. Tighten upright profile with ST4×16 cross head self-tapping screws covered by decorative caps by using cross head screwdriver.

Step 10 Installation cover cap



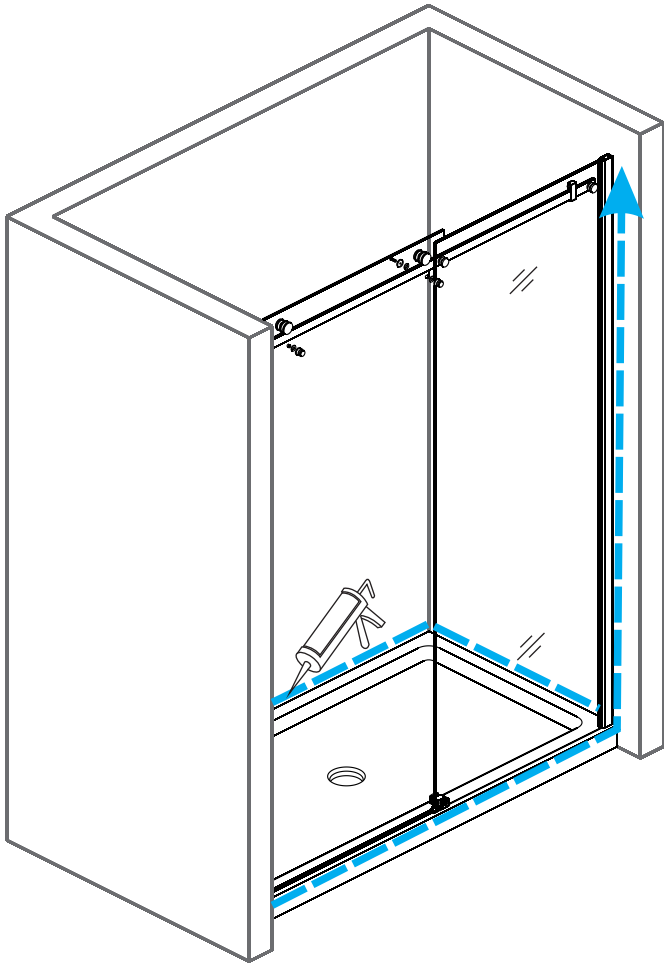
Fix the cover cap on the wall profile and upright profile.

Step 11 Plastic glass


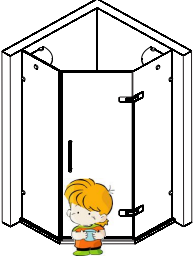









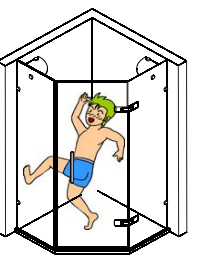

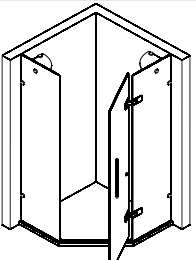






24 Hours

Note:
Allow 24 hours for
silicone to dry.



As shower, silicone for shower room. The shower room can be used 24 hours after installation.

  <p>Do not let the child, the old people, or the costive people enter the shower room alone.</p>	  <p>Do not climb up the shower room or hang the heavy item on it.</p>	  <p>Do not rap the shower room with the hard friction, in order to avoid breakage.</p>
  <p>To avoid tumble, please pay attention to the height difference when enter the shower room.</p>	  <p>To avoid injury, please do not put the hand in the crack of the door when enter the shower room.</p>	  <p>In the bathtub usually have the soapy water, easy to slip, please be careful!</p>
  <p>The shower room should be maintain ventilates good, in order to avoid moldy or peculiar smell caused by of the moisture keep in it for a long time.</p>	  <p>Please use the neutral liquid detergent and the soft cloth washes and rubs the shower room, do not use the acidity, the alkalinity detergent, the alcohol, the acetone, the ammonia and so on the organic solvent, it's forbidden to use the eradicator.</p>	  <p>The glass sealant falls off can cause the water leakage, therefore, once falls off, please make up by all means.</p>

Foshan Ailihua Sanitary Ware Co.,Ltd
Add: Shanghua Industrial District,
Lecong Town, Shunde, Foshan, China
Tel:+86-757-28972501
Fax: +86-757-28100121
Email: export@gemy.cn