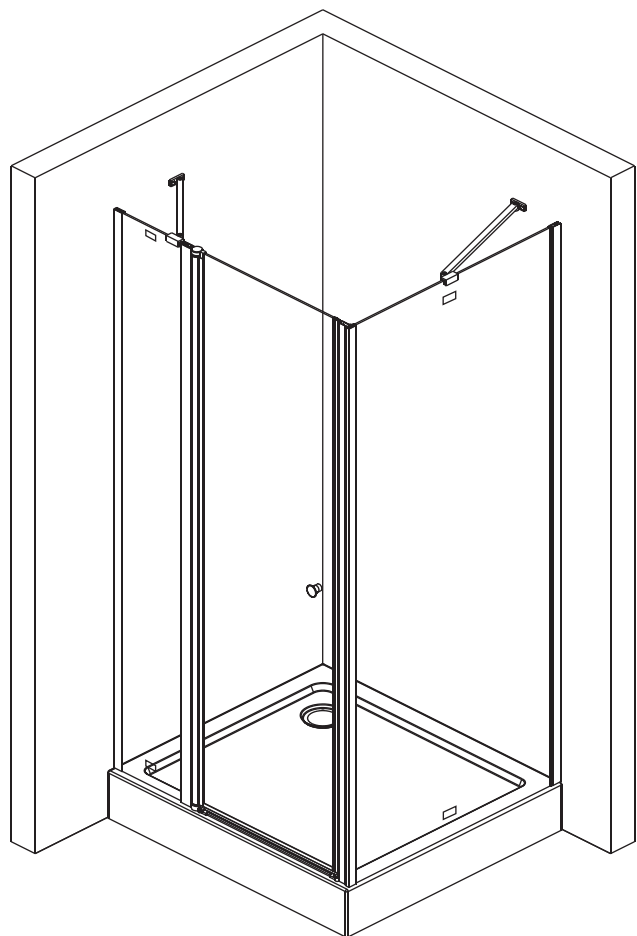


Instructions of Shower Room



S03131A/S03131B/S03131C

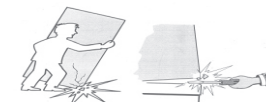
Dear customer:

Sincerely thanks for selecting our shower room, the series product made of high quality material, with the characteristics of simple, natural, comfortable, practical, excellent in quality and reasonable in price etc. It is the newest developed design of leisure product. It will bring you an infinite relaxation, and infinite pleasure.

Please examine whether the accessories lack or not according to the whole picture, and analyze the structure and the installation position of product. Then carry on installing according to the explanations as following instruction.

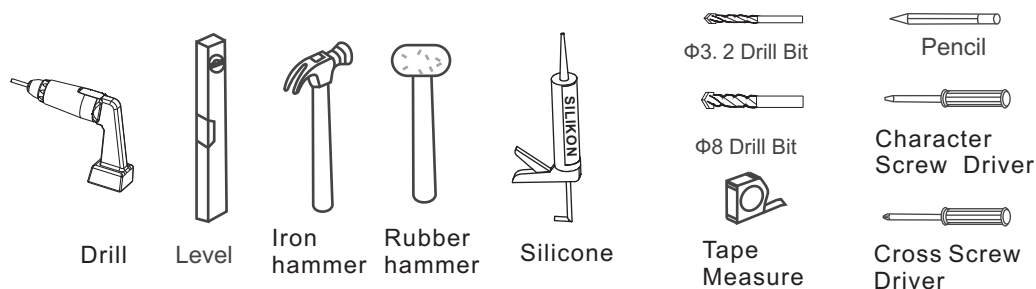
You are welcome to visit our web www.gemy.cn for more information.

ATTENTION

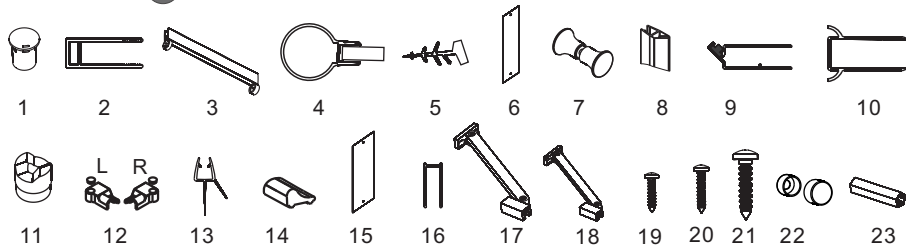
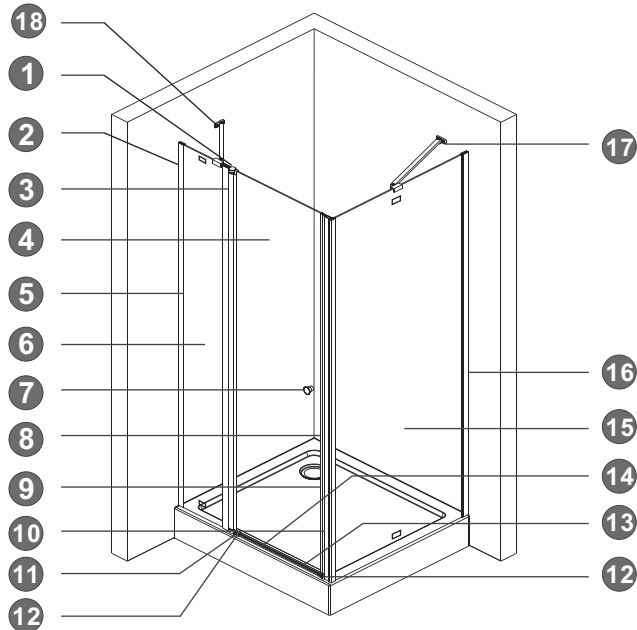


1. Don't let child or costive one use the shower room alone, otherwise may cause injury.
2. It is easy to slip because of the soap water in the shower base, please be careful!
3. To avoid fire or damage, please don't put burning cigarette near the sit, shower base or fall ash in.
4. Don't put stools in shower base and stand on it.
5. To avoid scratch, please don't put tools like shaver blade in shower base.
6. Please don't use acid, alkali, drugs (e.g. Hydrochloric Acid) and acetone impregnant, cleansing powder and abrasive to clean the shower room, because the impregnant mentioned above is bad for health.

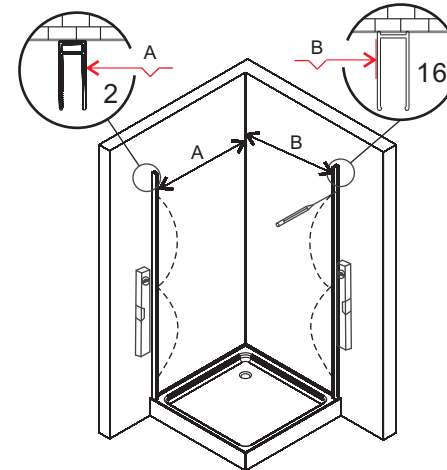
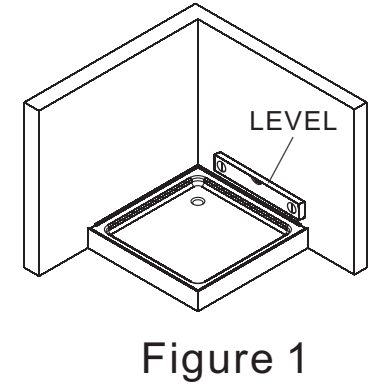
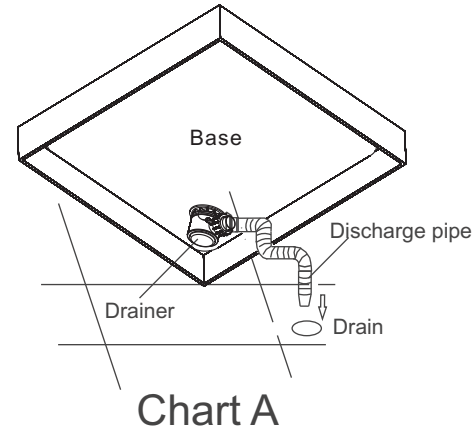
Installation Tools



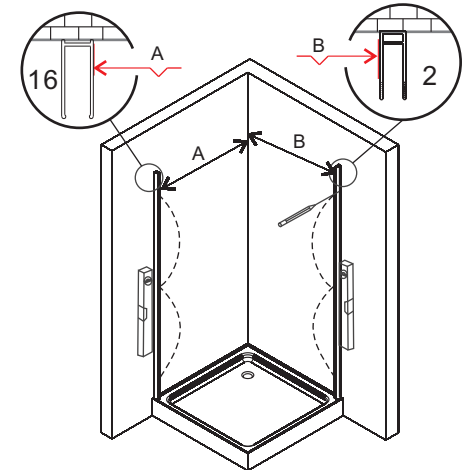
The structure of the shower



No.	Name	Quantity	Sequence number	Accessories name	Quantity
1	Top axes	1	13	Profoot-water seal	1
2	Lc201213 profile	1	14	H10 Profile	1
3	Lc20124 profile	1	15	Side panel glass	1
4	Lc27013 profile	1	16	Lc201236 profile	1
5	Single-sided plastic teeth	1	17	Support rod 1	1
6	Fixed glass	1	18	Support rod 2	1
7	Handle	1	19	ST4*10	16
8	Magnetic seal	1	20	ST4*14	4
9	Lc201229 profile	1	21	ST4*30	16
10	Lc201219 profile	1	22	cover cap	12
11	Bottom axes	1	23	Wall plug	14
12	180 degrees plastic parts	2			



SIZE(mm)	A	B
1000X800	763-773	978-983
1200X800	763-773	1178-1183
1200X900	863-873	1178-1183



SIZE(mm)	A	B
1000X800	978-983	763-773
1200X800	1178-1183	763-773
1200X900	1178-1183	863-873

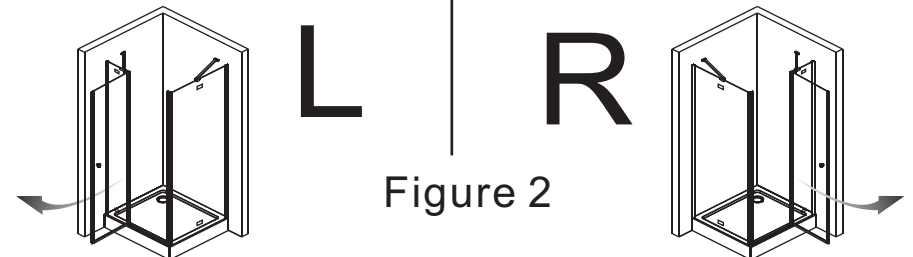


Figure 2

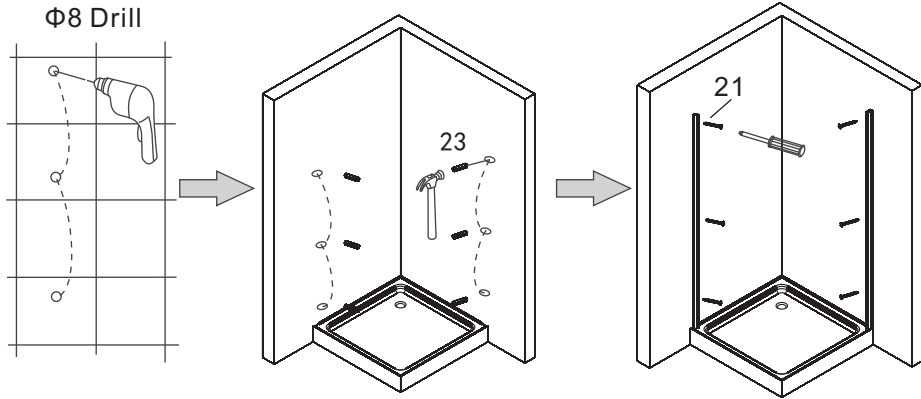


Figure 3

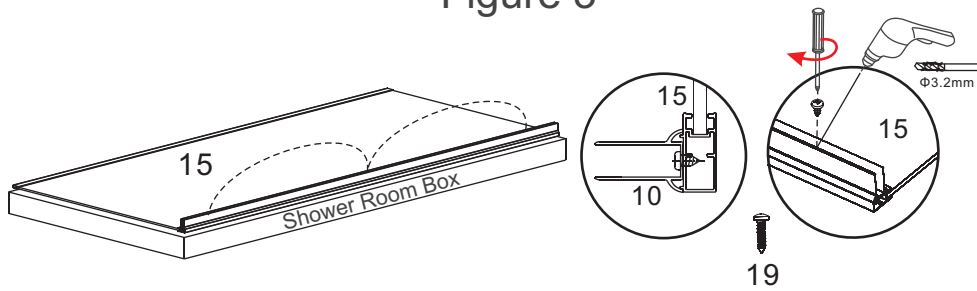


Figure 4

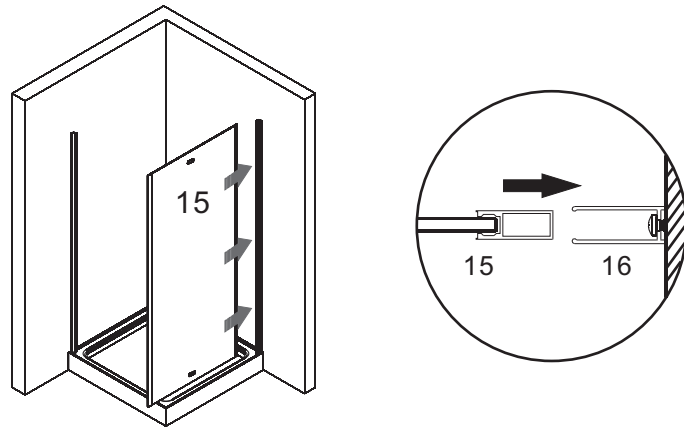


Figure 5

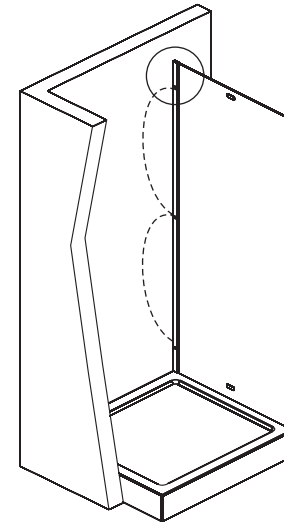


Figure 6

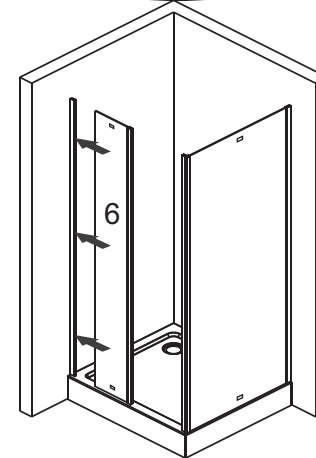
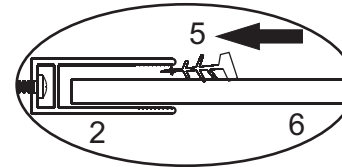


Figure 7

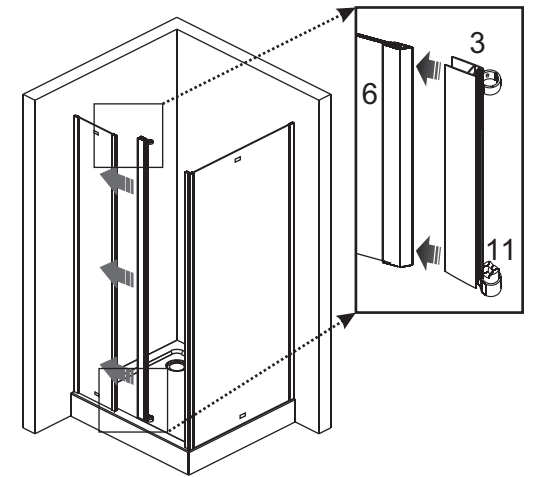


Figure 8

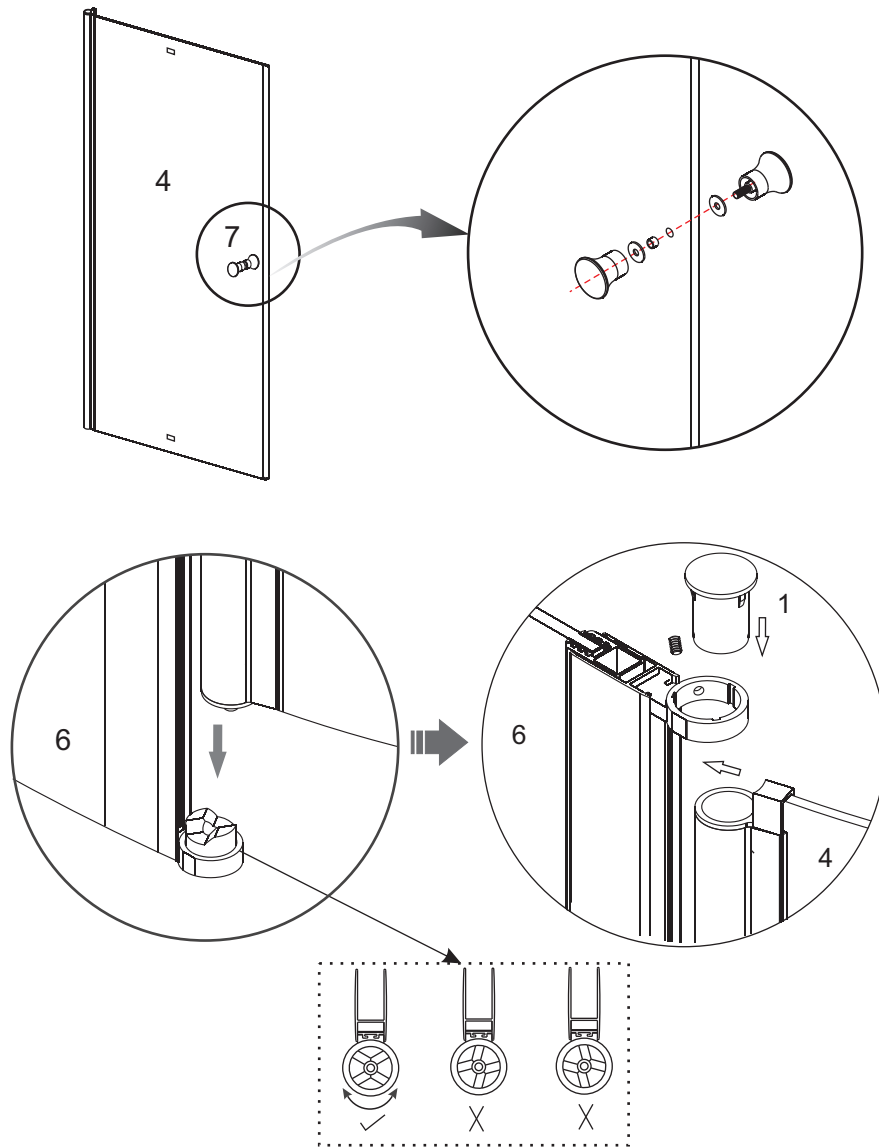


Figure 9

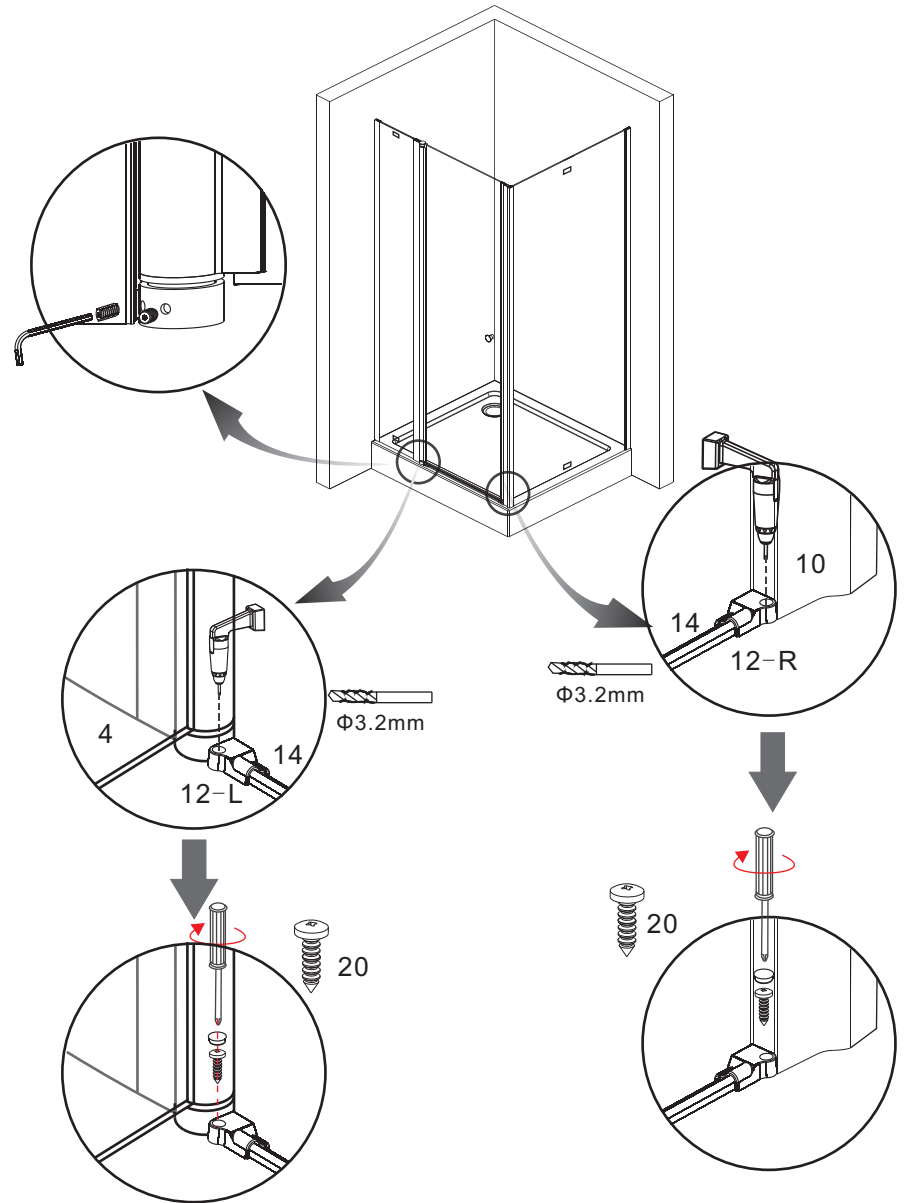


Figure 10

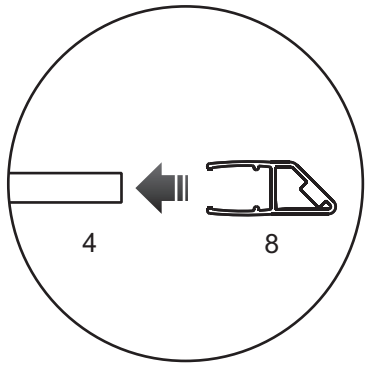


Figure 11

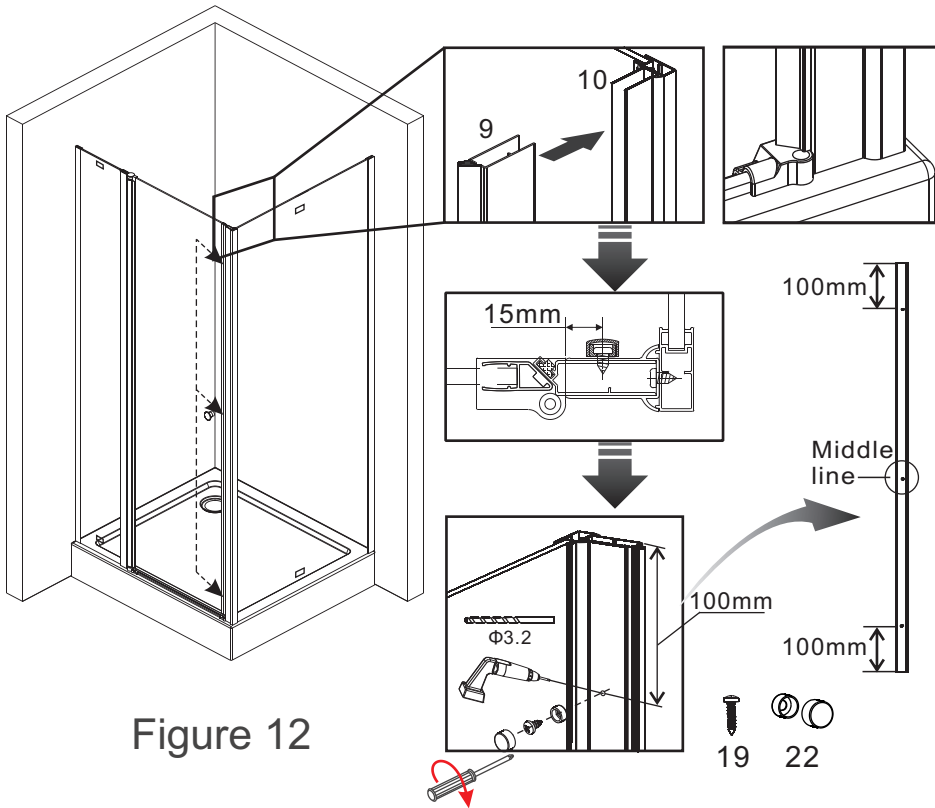
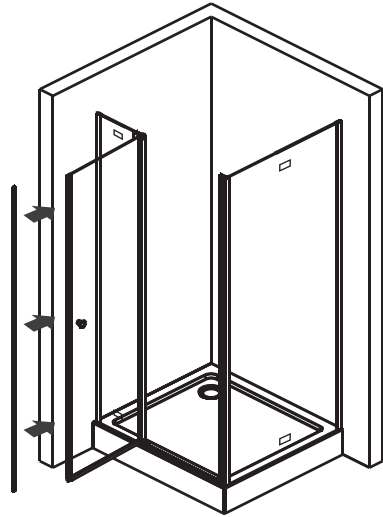


Figure 12

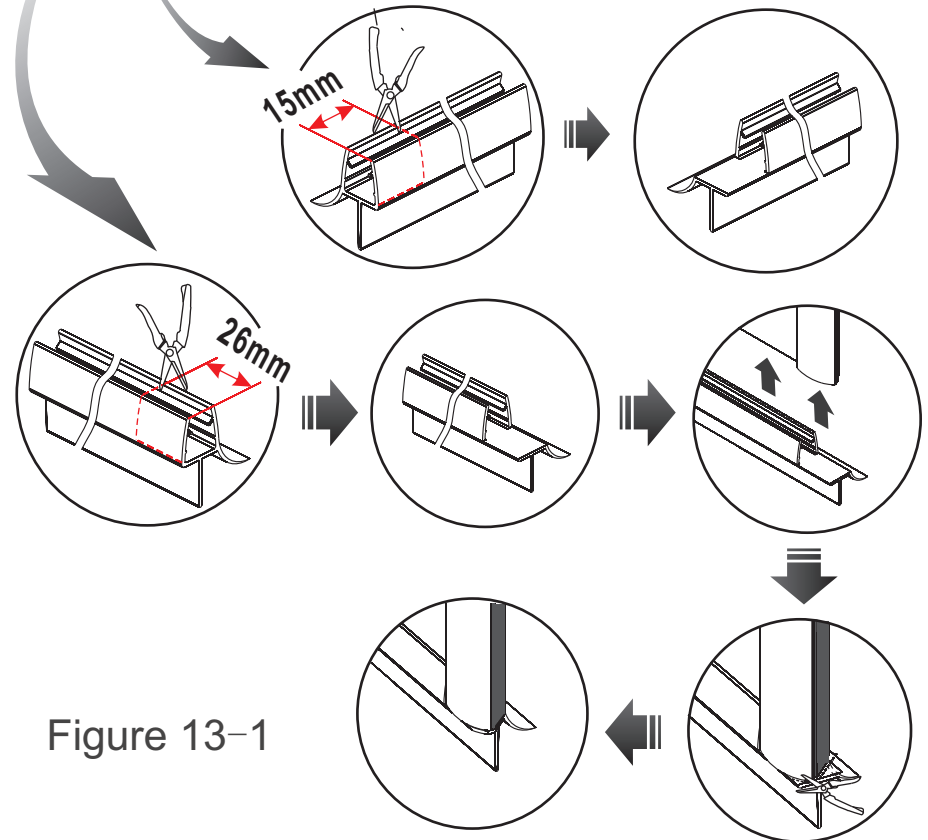
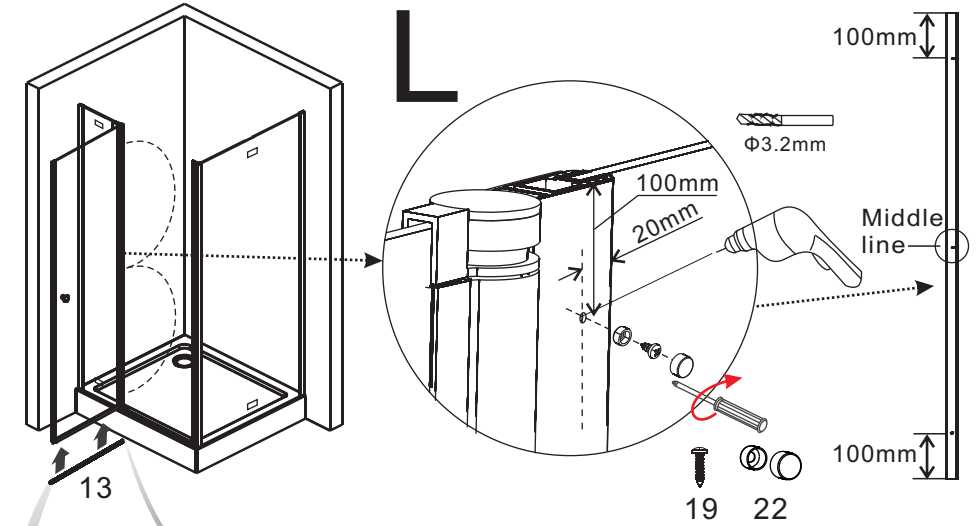
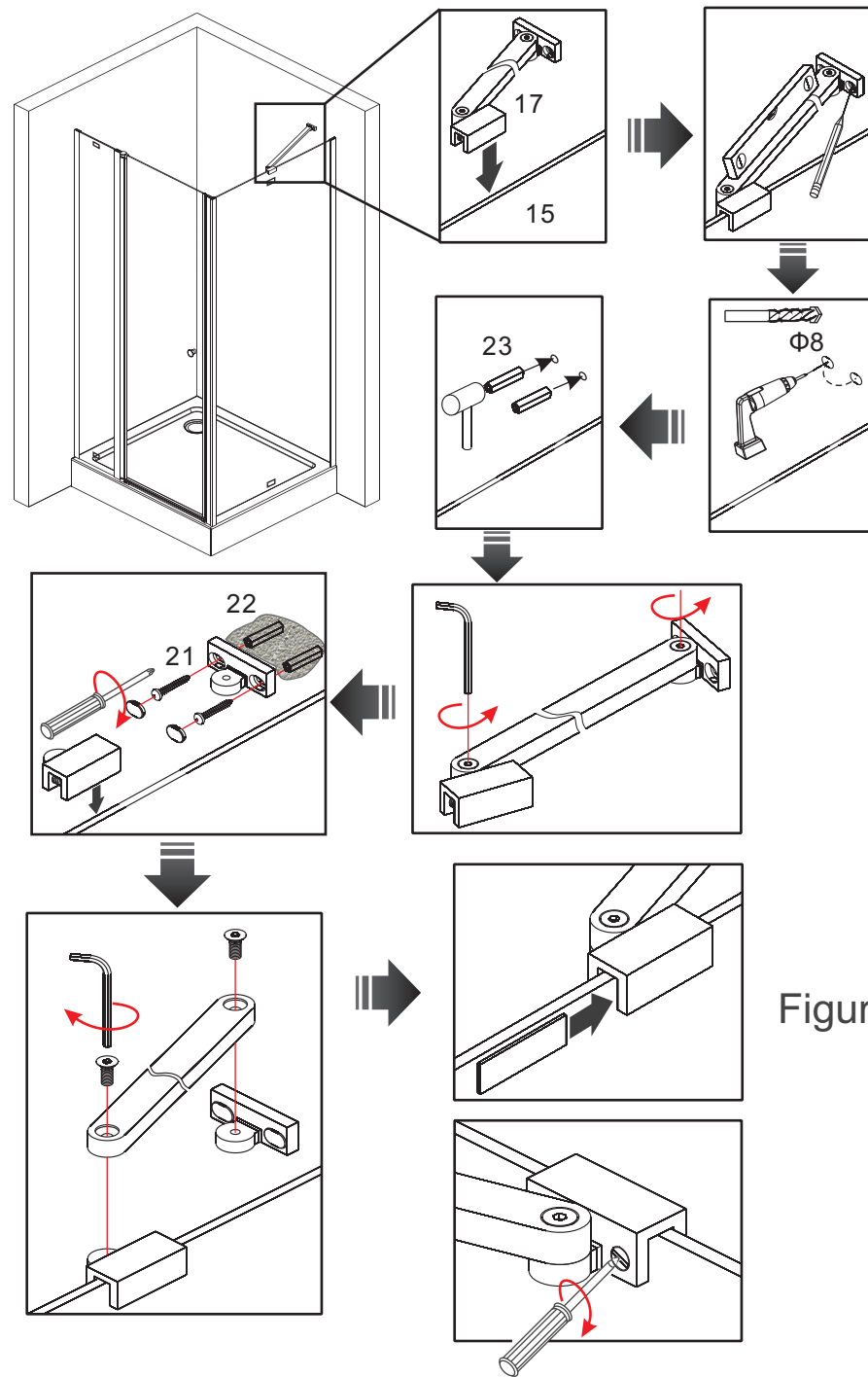
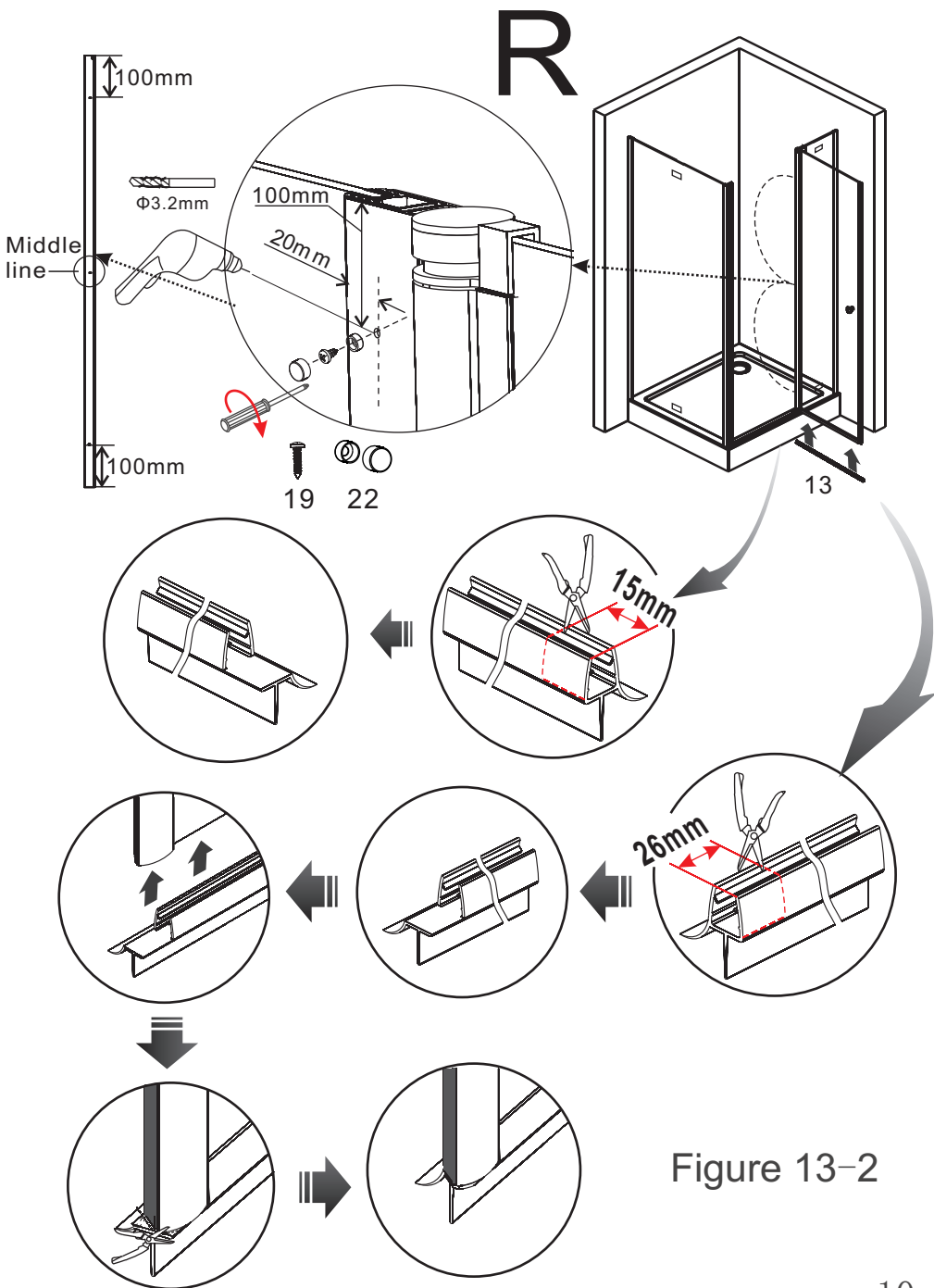


Figure 13-1



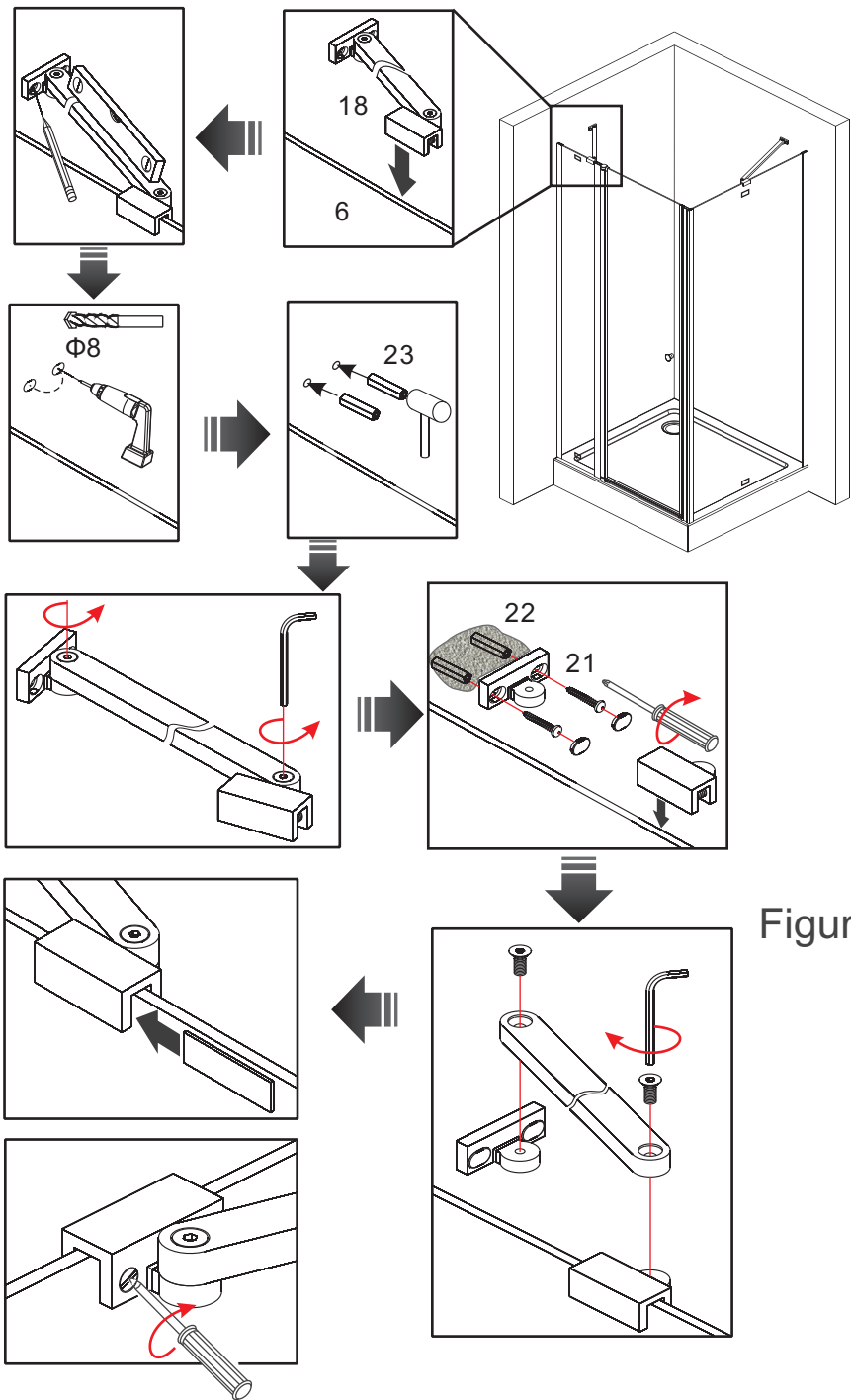


Figure 15



24 Hours

Note:
Allow 24 hours for
silicone to dry.

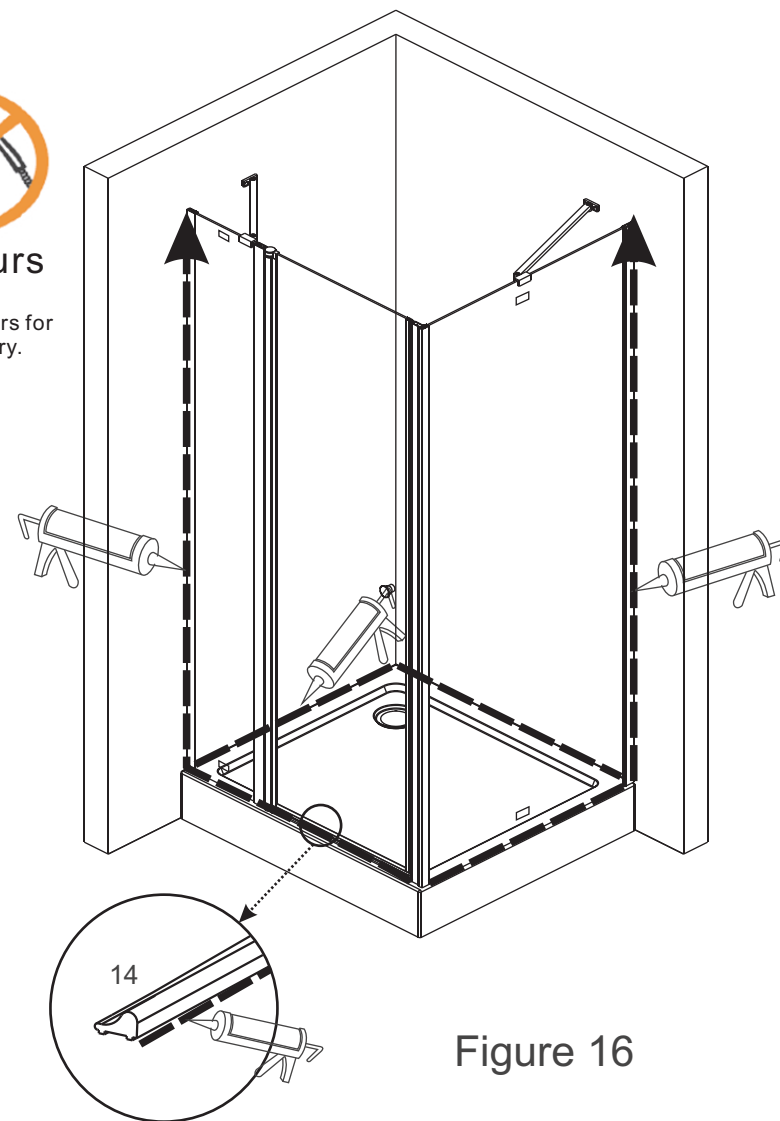
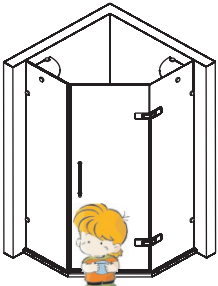



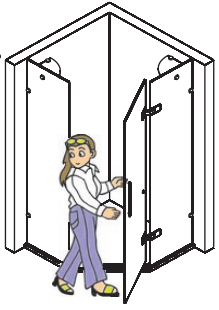
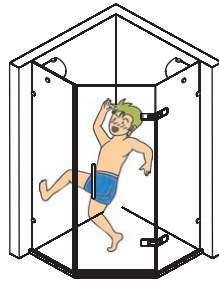
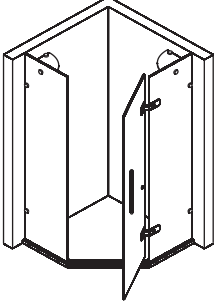

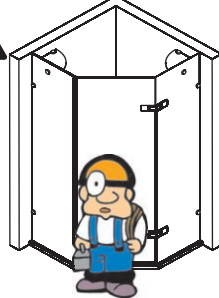


Figure 16

 <p>Do not let the child, the old people, or the costive people enter the shower room independently.</p>	 <p>Please do not climb up the shower room or hanging the heavy item on it.</p>	 <p>Please do not rap the shower room, with the hard friction, in order to avoid breakage.</p>
 <p>To avoid tumble, please pay attention the high-low variance when enter the shower room.</p>	 <p>To avoid injury, please do not put the hand in the crack of door when enter the shower room.</p>	 <p>In the bathtub usually have the soapy water, easy to slip, please be careful!</p>
 <p>The shower room should be maintain ventilates good, in order to avoid moldy or peculiar smell because of the moisture keep in it for a long time.</p>	 <p>Please use the neutral liquid detergent and the soft cloth washes and rubs the shower room, do not use the acidity, the alkalinity detergent, the alcohol, the acetone, the ammonia and so on the organic solvent, it's forbidden to use the eradicator.</p>	 <p>The glass sealant falls off can cause the water leakage, therefore, once falls off, please make up by all means.</p>